



<u>Model Year:</u>	MY18
<u>Model Name:</u>	GIANT Wheel System Instruction Manual
<u>Purpose:</u>	FOR GIANT DEALERS ONLY

MY18 Wheel System Instruction Manual

1. Wheel System in Gear	3
2. Spare Parts in Gear	4
3. Wheel System	5
3.1 SLR 0 Disc (30mm)	5
3.2 SLR 1 Disc (30mm)	6
3.3 SLR 0 Disc (42mm)	7
3.4 SLR 1 Disc (42mm)	8
3.5 SLR 0 Disc (65mm)	9
3.6 SLR 1 Disc (65mm)	12
3.7 SLR 0 (42mm)	13
3.8 SLR 1 (42mm)	14
3.9 CXR-1	15
4. Hub System	16
4.1 Hub System overview	16
4.2 GDC 240F	17
4.3 GDC 240R	18
4.4 GDC 360F	21
4.5 GDC 360R	23
4.6 GRX 805F	26
4.7 GRX 804R	27
4.8 GRX 1602	28
4.9 Free Hub Body	28
5 Spoke Tension	29

1. Wheel System in Gear

Gear PN	Model name	Description
350000125	WHEELSYSTEM	SLR0 DISC AERO FW
350000126	WHEELSYSTEM	SLR0 DISC AERO RW
350000127	WHEELSYSTEM	SLR1 DISC AERO FW
350000128	WHEELSYSTEM	SLR1 DISC AERO RW
350000131	WHEELSYSTEM	SLR0 DISC 42MM FW
350000132	WHEELSYSTEM	SLR0 DISC 42MM RW
350000133	WHEELSYSTEM	SLR1 DISC 42MM FW
350000134	WHEELSYSTEM	SLR1 DISC 42MM RW
350000137	WHEELSYSTEM	SLR0 DISC CLIMBING FW
350000138	WHEELSYSTEM	SLR0 DISC CLIMBING RW
350000139	WHEELSYSTEM	SLR1 DISC CLIMBING FW
350000140	WHEELSYSTEM	SLR1 DISC CLIMBING RW
350000143	WHEELSYSTEM	SLR0 AERO FW
350000144	WHEELSYSTEM	SLR0 AERO RW
350000145	WHEELSYSTEM	SLR1 AERO FW
350000146	WHEELSYSTEM	SLR1 AERO RW
350000147	WHEELSYSTEM	SL1 AERO FW
350000148	WHEELSYSTEM	SL1 AERO RW
350000149	WHEELSYSTEM	SLR0 42 FW
350000150	WHEELSYSTEM	SLR0 42 RW
350000151	WHEELSYSTEM	SLR1 42 FW
350000152	WHEELSYSTEM	SLR1 42 RW
350000155	WHEELSYSTEM	SLR0 CLIMBING FW
350000156	WHEELSYSTEM	SLR0 CLIMBING RW
350000157	WHEELSYSTEM	SLR1 CLIMBING FW
350000158	WHEELSYSTEM	SLR1 CLIMBING RW
350000163	WHEELSYSTEM	CXR-1 FW
350000164	WHEELSYSTEM	CXR-1 RW

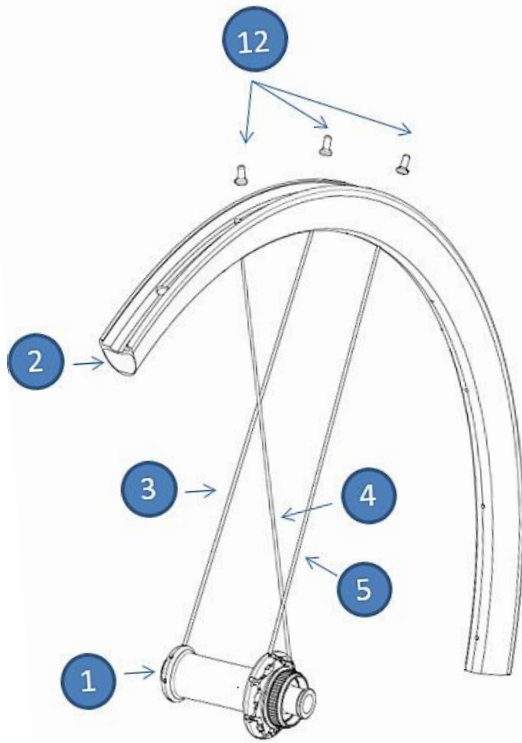
2. Spare Parts in Gear

Gear PN	Model name	Description
290000000	BRAKE PAD	GIANT BRAKE PAD FOR CARBON RIM
300000026	FORMULA-TOOL BOX	FORMULA HUB TOOL BOX (12MM/15MM AXLE)
300000027	DT-TENSIO 2	TENSIOMETER DT TENSIO ANALOG RED (指針式)
300000028	SLEEVE	SLEEVE OD:11MM/ 12.5MM FOR DT TENSIO TENSIOMETER
300000029	SPOKE TOOL	SPOKE HOLDER FOR TCS SPOKE
320000006	TUBELESS TAPE	GIANT TUBELESS TAPE 23mm X 4.7m
320000045	TUBELESS TAPE	GIANT TUBELESS TAPE 26mm X 4.7m
320000046	TUBELESS TAPE	GIANT TUBELESS TAPE 28mm X 4.7m
320000047	TUBELESS TAPE	GIANT TUBELESS TAPE 30mm X 4.7m
320000048	TUBELESS TAPE	GIANT TUBELESS TAPE 35mm X 4.7m
320000049	TUBELESS TAPE	GIANT TUBELESS TAPE 43mm X 4.7m
330000070	TUBELESS VALVE	TUBELESS VALVE STEMx2 FOR 30MM LOW PROFILE RIM
330000101	TUBELESS VALVE	TUBELESS VALVE STEMx2 FOR 40MM AND ABOVE HIGH PROFILE RIM
330000102	VALVE TOOL	VALVE CORE REMOVE TOOL
330000103	TUBELESS SEALANT	GIANT TUBELESS SEALANT 2OZ 1 BOTTLE
330000104	TUBELESS SEALANT	GIANT TUBELESS SEALANT 16OZ
320000042	VALVE ADAPTOR	PLASTIC VALVE CAP FOR ON ROAD RIM X4
320000043	VALVE ADAPTOR	PLASTIC VALVE CAP FOR OFF ROAD RIM X4
600000014	TIRE LEVER	GIANT TIRE LEVER FOR TUBELESS
600000015	TIRE LEVER	LIV TIRE LEVER FOR TUBELESS
300000044	SEALANT SYRINGE	SEALANT CHECK & REFILL SYRINGE
300000045	TIRE LUBRICANTS	TIRE MOUNTING LUBRICANTS
300000046	TIRE PATCH	TIRE PATCH KIT-SLICK TIRE
300000048	TIRE PLUGS	TIRE PLUGS-TREADED TIRE

3. Wheel System

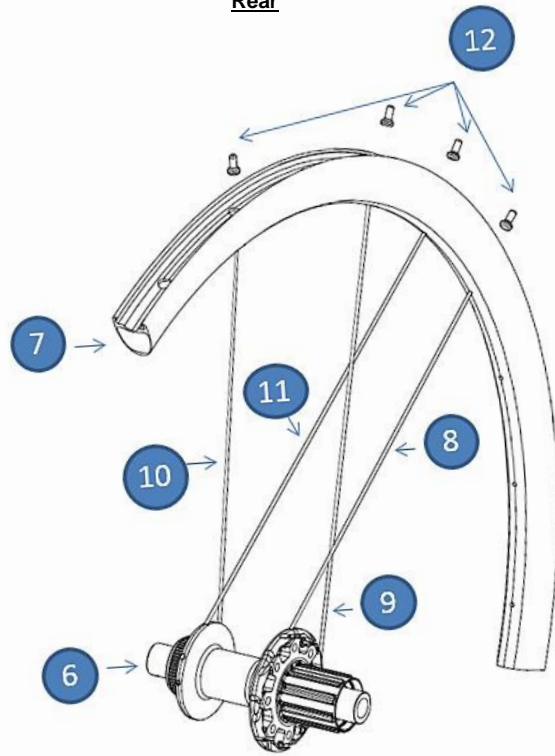
3.1 SLR 0 Disc (30mm)

Front



Note : Spoke placement in accordance with the drawings shown
(Spoke #4 is located inside of #5)

Rear



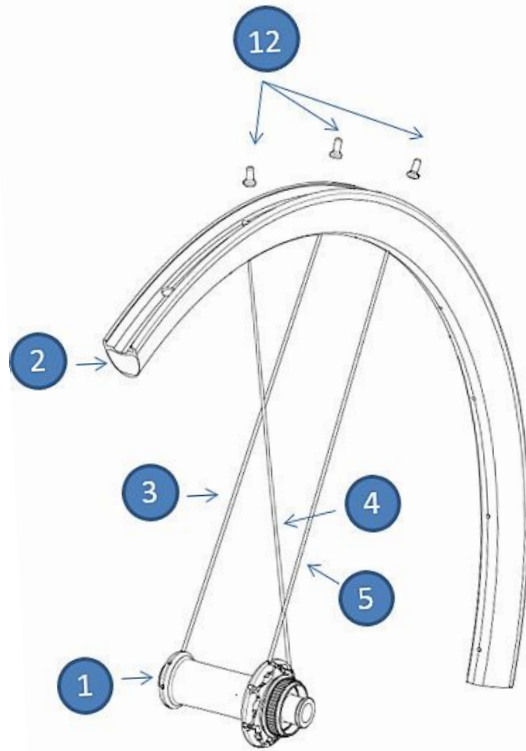
Note : Spoke placement in accordance with the drawings shown
(Spoke #9 is located inside of #8)
(Spoke #11 is located inside of #10)

SLR 0 Disc (30mm)

Front Rear	Part	Ref.	Part's Number	Spec Description
Front	Hub	1	1510-DT360R-801	DT 360 FRONT CENTER LOCK FOR SLR0 DISC 21X100 12MM BLK W/O QR W/MY18 CUSTOM LOGO
Front	Rim	2		SLR 0 DISC DBL FULL CARBON Front 700x21H F/V (MY18) CARBON SMOKE 1.4% (M)
Front	Spoke (Non-Disc Side)	3	154D-ARLITE-289	DT AEROLITE 2.0/0.9/2.3 T-HEAD BLACK 289MM
Front	Spoke (Disc Side-outer)	4	154D-ARLITE-291	DT AEROLITE 2.0/0.9/2.3 T-HEAD BLACK 291MM
Front	Spoke (Disc Side-inner)	5	154D-ARLITE-284	DT AEROLITE 2.0/0.9/2.3 T-HEAD BLACK 284MM
Front	Quick Release		1519-THRUAX-701	GIANT THRU AXLE 100MM/O12MM ALLOY AXLE AND ALLOY LEVER
Rear	Hub	6	1520-DT240R-801	DT 240 REAR CENTER LOCK FOR SLR0 DISC 11SPD 24X142 12MM BLK W/O QR W/MY18 GIANT CUSTOM LOGO
Rear	Rim	7		SLR 0 DISC DBL FULL CARBON Rear 700x24H F/V (MY18) CARBON SMOKE 1.4% (M)
Rear	Spoke(Drive Side-outer)	8	154D-ARLITE-286	DT AEROLITE 2.0/0.9/2.3 T-HEAD BLACK 286MM
Rear	Spoke(Drive Side-inner)	9	154D-ARLITE-295	DT AEROLITE 2.0/0.9/2.3 T-HEAD BLACK 295MM
Rear	Spoke(Non-Drive Side-inner)	10	154D-ARLITE-286	DT AEROLITE 2.0/0.9/2.3 T-HEAD BLACK 286MM
Rear	Spoke(Non-Drive Side-outer)	11	154D-ARLITE-286	DT AEROLITE 2.0/0.9/2.3 T-HEAD BLACK 286MM
Front/ Rear	Nipple	12	154D-N14GAS-401	DT NIPPLE HIDDEN ALUN SIL 2.0x12MM PRO LOCK (NPAF20120N0500)
Rear	Quick Release		1529-THRUAX-701	GIANT THRU AXLE 142MM/O12MM ALLOY AXLE AND ALLOY LEVER
Front/ Rear	Tubeless Tire Valve		1570-XH591A-701	XH-591 45MM VALVE BLK FOR TUBELESS TIRE (FOR GIANT ON/OFF ROAD WHEEL)
Front/ Rear	Valve Adaptor		1579-ADAPTR-601	VLD-199 VALVE ADAPTOR FOR SLR0/1, SL1/SL1-AERO/PA2/PR2/SR2/PR2-D/SR2-D

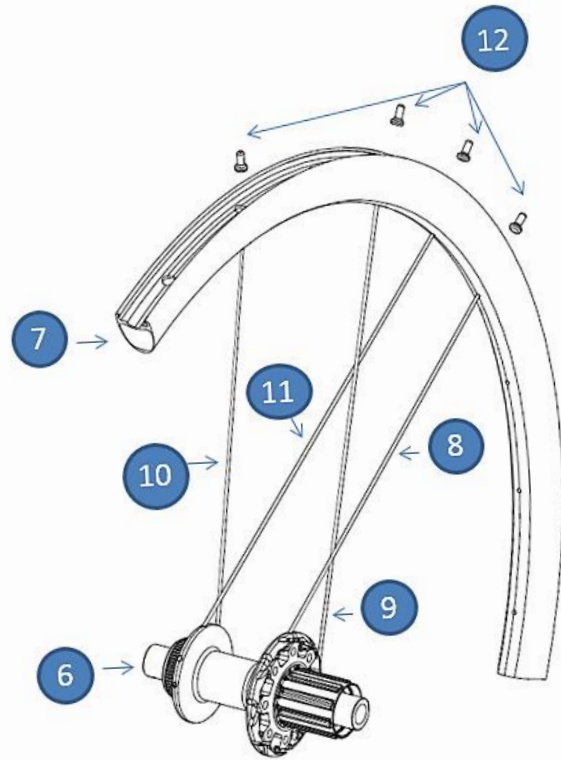
3.2 SLR 1 Disc (30mm)

Front



Note : Spoke placement in accordance with the drawings shown
(Spoke #4 is located inside of #5)

Rear



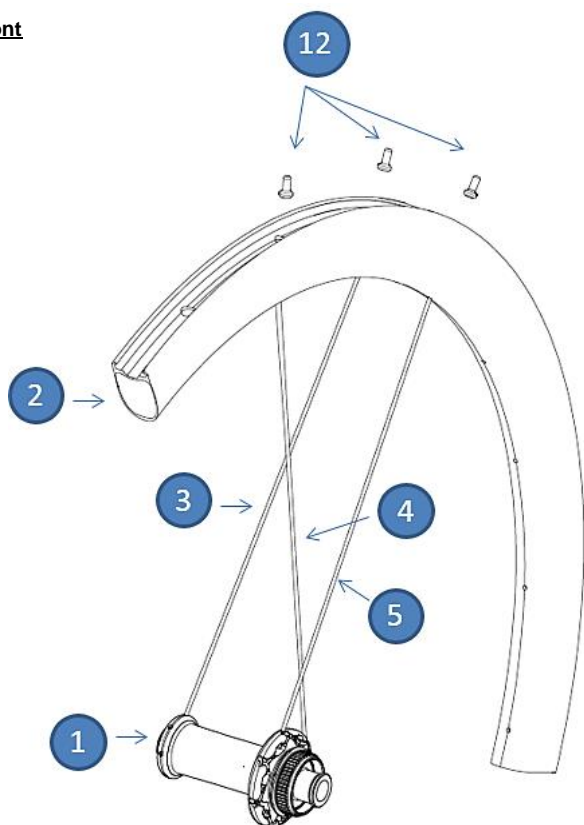
Note : Spoke placement in accordance with the drawings shown
(Spoke #9 is located inside of #8)
(Spoke #11 is located inside of #10)

SLR1 Disc (30mm)

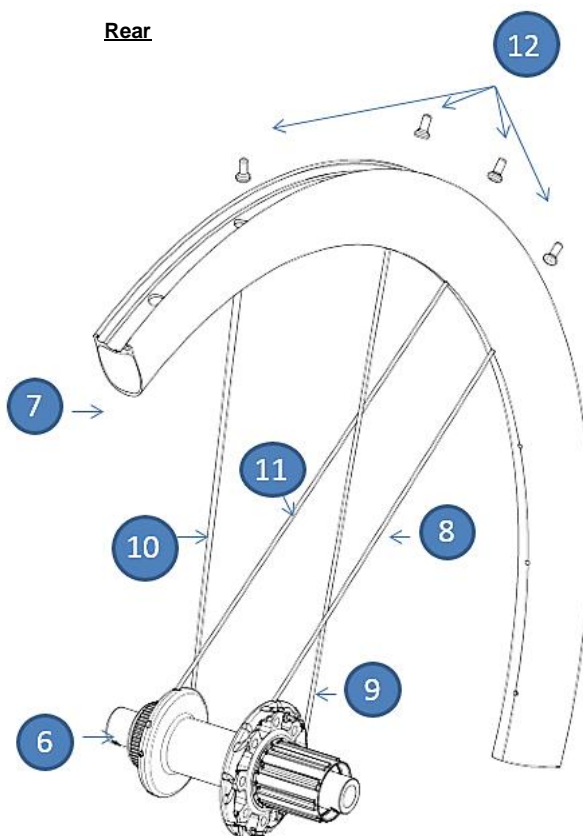
Front /Rear	Part	Ref.	Part's Number	Spec Description	Remark
Front	Hub	1	1510-DT360R-802	DT 360 FRONT CENTER LOCK FOR SLR1 DISC 21X100 12MM BLK W/O QR W/MY18 CUSTOM LOGO (H370ACDXS21SO4270C)	
Front	Rim	2		SLR0 DISC H:30 FULL CARBON Front 700x21H F/V RAW TUBELESS	
Front	Spoke(Non-Disc Side)	3	154S-CXSP4B289T	CX-SPRINT 14GX289 NYLOK 2.0(2.2x1.2)2.0 BLK W/ T-HEAD	MOQ:20
Front	Spoke(Disc Side-outer)	4	154S-CXSP4B291T	CX-SPRINT 14GX291 NYLOK 2.0(2.2x1.2)2.0 BLK W/ T-HEAD	MOQ:20
Front	Spoke(Disc Side-inner)	5	154S-CXSP4B284T	CX-SPRINT 14GX284 NYLOK 2.0(2.2x1.2)2.0 BLK W/ T-HEAD	
Front	Quick Release		1519-THRUAX-701	GIANT THRU AXLE 100MM/O12MM ALLOY AXLE AND ALLOY LEVER	
Rear	Hub	6	1520-DT360R-801	DT 360 REAR CENTER LOCK FOR SLR1 DISC 11SPD 24X142 12MM BLK W/O QR W/MY18 GIANT CUSTOM LOGO	
Rear	Rim	7		SLR0 DISC H:30 FULL CARBON Rear 700x24HF/V RAW TUBELESS	
Rear	Spoke(Drive Side-inner)	8	154S-CXSP4B286T	CX-SPRINT 14GX286 NYLOK 2.0(2.2x1.2)2.0 BLK W/ T-HEAD	MOQ:20
Rear	Spoke(Drive Side-outer)	9	154S-CXSP4B297T	CX-SPRINT 14GX297 NYLOK 2.0(2.2x1.2)2.0 BLK W/ T-HEAD	MOQ:20
Rear	Spoke(Non-Drive Side-inner)	10	154S-CXSP4B286T	CX-SPRINT 14GX286 NYLOK 2.0(2.2x1.2)2.0 BLK W/ T-HEAD	MOQ:20
Rear	Spoke(Non-Drive Side-outer)	11	154S-CXSP4B286T	CX-SPRINT 14GX286 NYLOK 2.0(2.2x1.2)2.0 BLK W/ T-HEAD	
Front/ Rea	Nipple	12	154S-N14GSILI12	SAPIM Inverted 14G 12MM SECURE LOCK ALLOY SIL NIPPLE	MOQ:100
Rear	Quick Release		1529-THRUAX-701	GIANT THRU AXLE 142MM/O12MM ALLOY AXLE AND ALLOY LEVER	

3.3 SLR 0 Disc (42mm)

Front



Rear



Note : Spoke placement in accordance with the drawings shown
(Spoke #4 is located inside of #5)

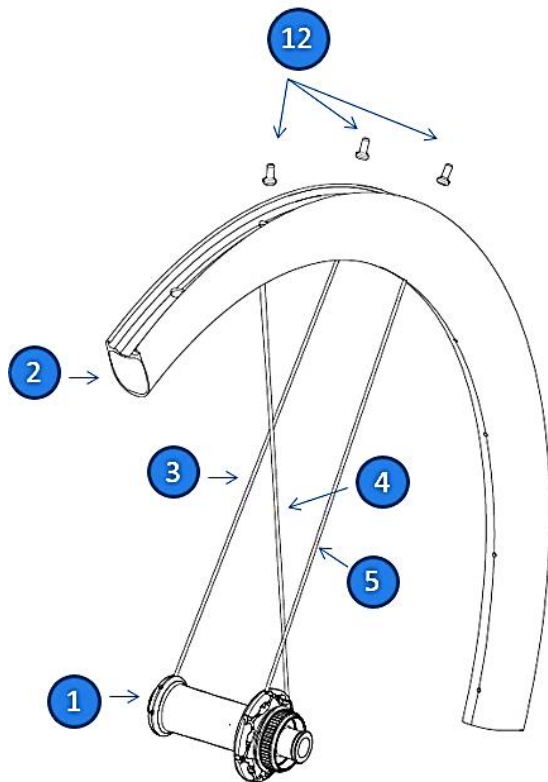
Note : Spoke placement in accordance with the drawings shown
(Spoke #9 is located inside of #8)
(Spoke #11 is located inside of #10)

SLR 0 Disc (42mm)

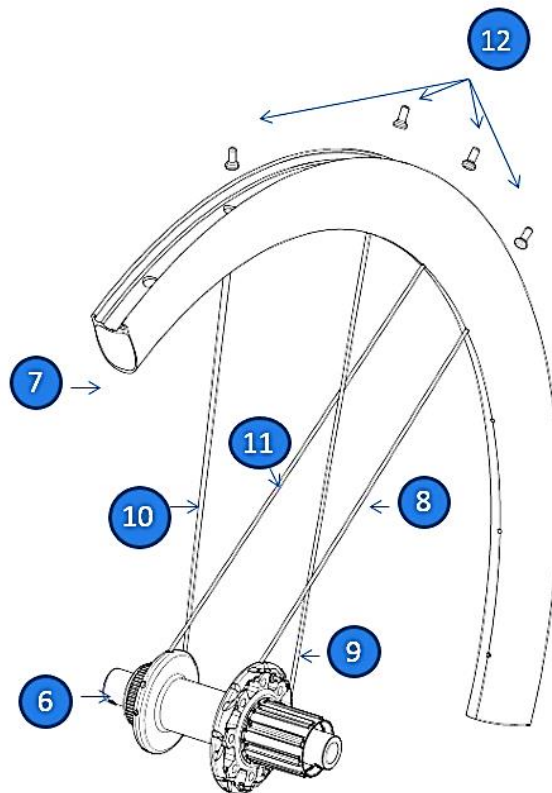
Front Rear	Part	Ref.	Part's Number	Spec Description
Front	Hub	1	1510-DT360R-801	DT 360 FRONT CENTER LOCK FOR SLR0 DISC 21X100 12MM BLK W/O QR W/MY18 CUSTOM LOGO
Front	Rim	2		SLR 0 DISC DBL FULL CARBON Front 700x21H F/V (MY18) CARBON SMOKE 1.4% (M)
Front	Spoke (Non-Disc Side)	3	154D-ARLITE-277	DT AEROLITE 2.0/0.9/2.3 T-HEAD BLACK 277MM
Front	Spoke (Disc Side- outer)	4	154D-ARLITE278T	DT AEROLITE 2.0/0.9/2.3 T-HEAD BLACK 278MM
Front	Spoke (Disc Side- inner)	8	154D-ARLITE273T	DT AEROLITE 2.0/0.9/2.3 T-HEAD BLACK 273MM
Front	Quick Release		1519-GQR68B-603	GQR68 M5X114MM W/DUAL ANO
Rear	Hub	6	1520-DT240R-801	DT 240 REAR CENTER LOCK FOR SLR0 DISC 11SPD 24X142 12MM BLK W/O QR W/MY18 GIANT CUSTOM LOGO
Rear	Rim	7		SLR 0 DISC DBL FULL CARBON Rear 700x24H F/V (MY18) CARBON SMOKE 1.4% (M)
Rear	Spoke(Drive Side- outer)	8	154D-ARLITE274T	DT AEROLITE 2.0/0.9/2.3 T-HEAD BLACK 274MM
Rear	Spoke(Drive Side- inner)	9	154D-ARLITE283T	DT AEROLITE 2.0/0.9/2.3 T-HEAD BLACK 283MM
Rear	Spoke(Non-Drive Side-inner)	10	154D-ARLITE274T	DT AEROLITE 2.0/0.9/2.3 T-HEAD BLACK 274MM
Rear	Spoke(Non-Drive Side-outer)	11	154D-ARLITE274T	DT AEROLITE 2.0/0.9/2.3 T-HEAD BLACK 274MM
Front/Rear	Nipple	12	154D-N14GAS-401	DT NIPPLE HIDDEN ALUN SIL 2.0x12MM PRO LOCK (NPAF20120N0500)
Rear	Quick Release		1529-GQR68B-602	GQR68 M5X148MM W/DUAL ANO

3.4 SLR 1 Disc (42mm)

Front



Rear



Note : Spoke placement in accordance with the drawings shown
(Spoke #4 is located inside of #5)

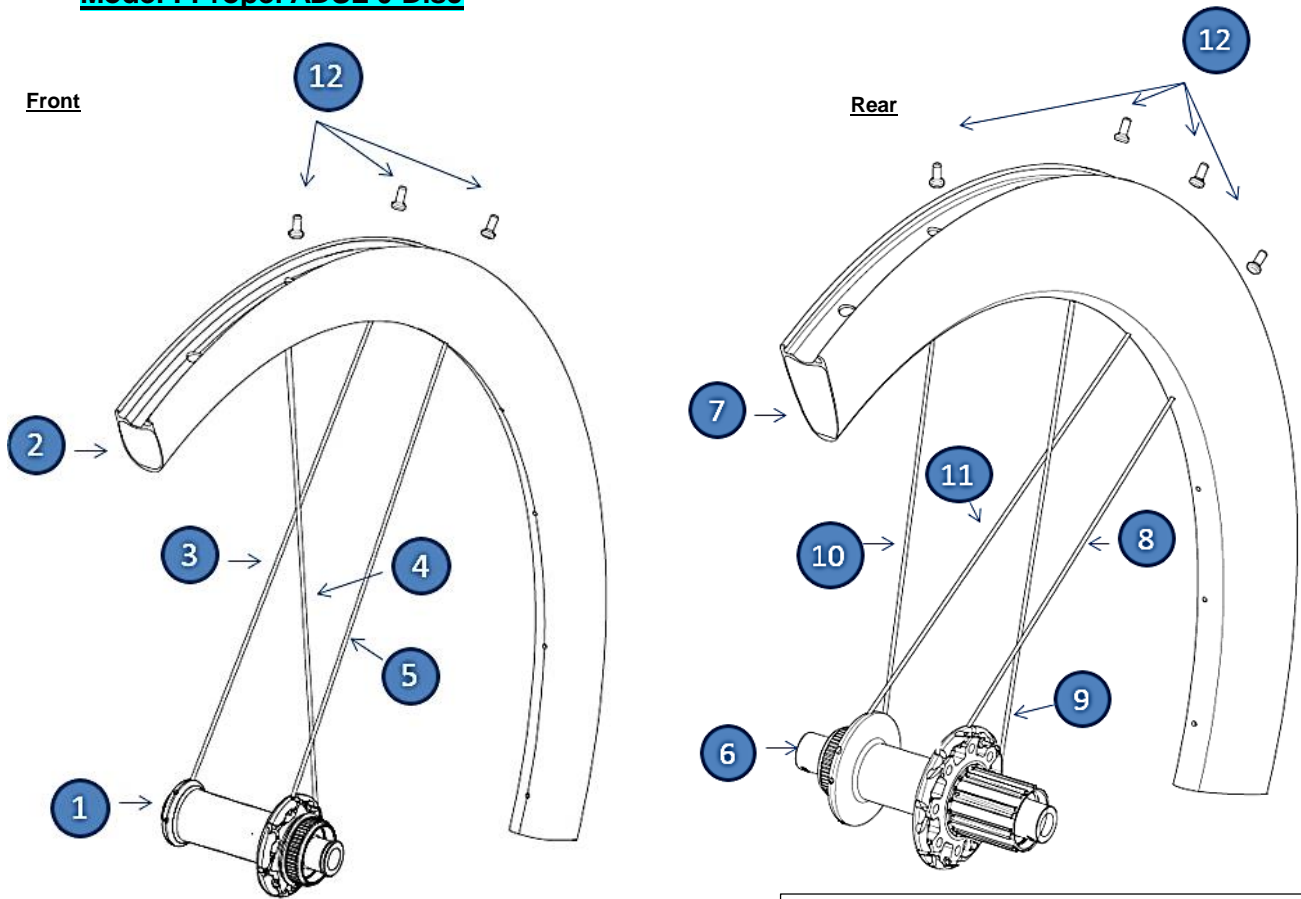
Note : Spoke placement in accordance with the drawings shown
(Spoke #9 is located inside of #8)
(Spoke #11 is located inside of #10)

SLR 1 Disc (42mm)

Front Rear	Part	Ref.	Part's Number	Spec Description
Front	Hub	1	1510-DT360R-802	DT 360 FRONT CENTER LOCK FOR SLR1 DISC 21X100 12MM BLK W/O QR W/MY18 CUSTOM LOGO (H370ACDXS21SO4270C)
Front	Rim	2		SLD 0 CLIMB-F 700X21H F/V H:42 UD TUBELESS
Front	Spoke (Non-Disc Side)	3	154S-CXSP4B277T	CX-SPRINT 14GX277 NYLOK 2.0(2.2x1.2)2.0 BLK W/ T-HEAD
Front	Spoke (Disc Side- outer)	4	154S-CXSP4B278T	CX-SPRINT 14GX278 NYLOK 2.0(2.2x1.2)2.0 BLK W/ T-HEAD
Front	Spoke (Disc Side- inner)	5	154S-CXSP4B272T	CX-SPRINT 14GX272 NYLOK 2.0(2.2x1.2)2.0 BLK W/ T-HEAD
Rear	Hub	6	1520-DT360R-801	DT 360 REAR CENTER LOCK FOR SLR1 DISC 11SPD 24X142 12MM BLK W/O QR W/MY18 GIANT CUSTOM LOGO
Rear	Rim	7		SLR 0 DISC DBL FULL CARBON Rear 700x24H F/V (MY18) CARBON SMOKE 1.4% (M)
Rear	Spoke(Drive Side- outer)	8	154S-CXSP4B274T	CX-SPRINT 14GX274 NYLOK 2.0(2.2x1.2)2.0 BLK W/ T-HEAD
Rear	Spoke(Drive Side- inner)	9	154S-CXSP4B283T	CX-SPRINT 14GX283 2.0(2.2x1.2)2.0 BLK W/ T-HEAD(REQUIRE OUTSOURCING NYLOK)
Rear	Spoke(Non-Drive Side-inner)	10	154S-CXSP4B274T	CX-SPRINT 14GX274 NYLOK 2.0(2.2x1.2)2.0 BLK W/ T-HEAD
Rear	Spoke(Non-Drive Side-outer)	11	154S-CXSP4B274T	CX-SPRINT 14GX274 NYLOK 2.0(2.2x1.2)2.0 BLK W/ T-HEAD
Front/Rear	Nipple	12	154S-N14GSILI12	SAPIM Inverted 14G 12MM SECURE LOCK ALLOY SIL NIPPLE

3.5 SLR 0 Disc (Front : 42mm + Rear 65mm)

Model : Propel ADSL 0 Disc



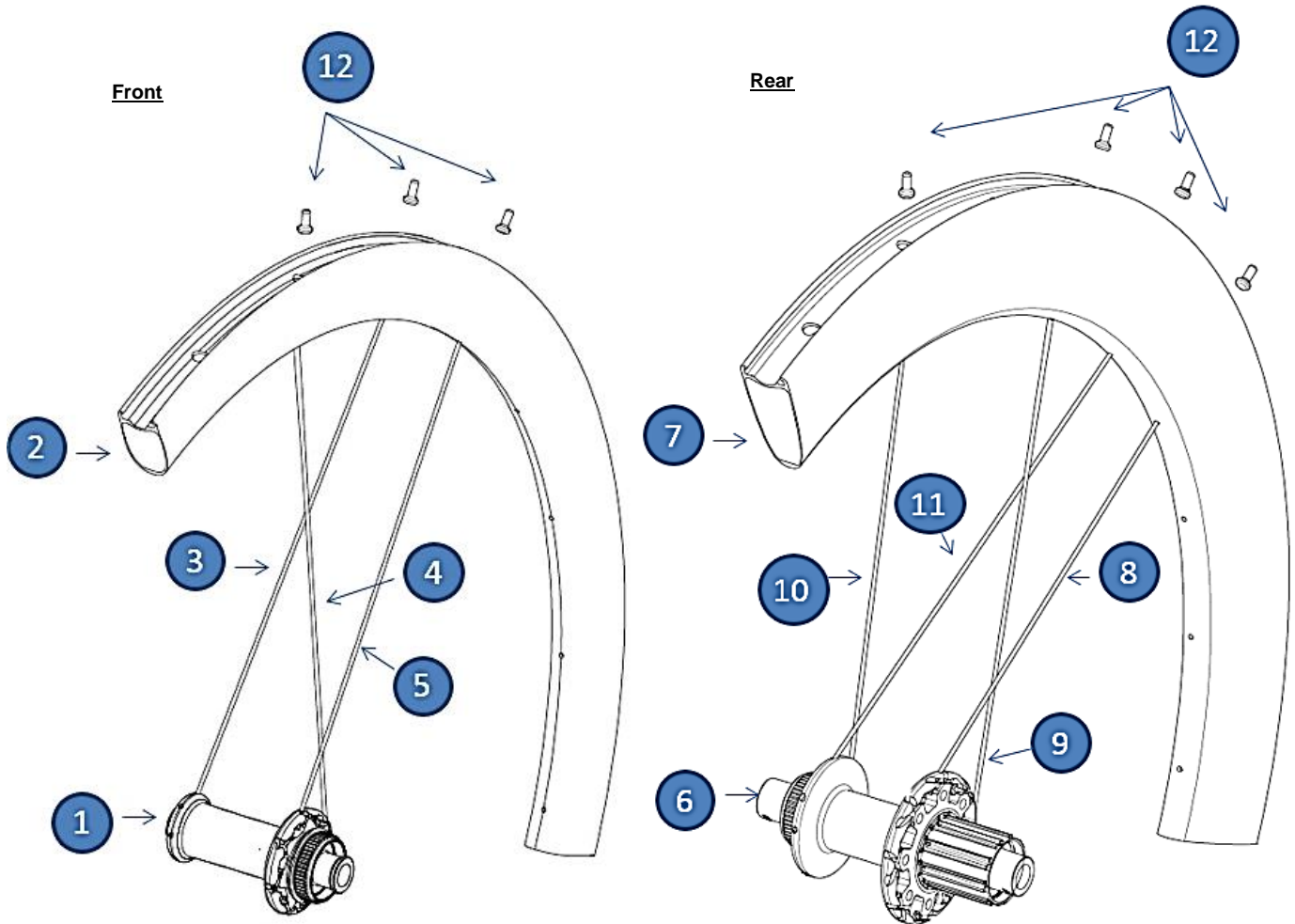
Note : Spoke placement in accordance with the drawings shown
(Spoke #4 is located inside of #5)

Note : Spoke placement in accordance with the drawings shown
(Spoke #9 is located inside of #8)
(Spoke #11 is located inside of #10)

Front Rear	Part	Ref.	Part's Number	Spec Description
Front	Hub	1	1510-SLR0AA-801	SLR 0 DISC HUB 21X100 12MM AXLE CENTERLOCK W/SLR0 LG
Front	Rim	2		SLD 0 CLIMB-F 700X21H F/V H:42 CARBON SMOKE 1.4%(M)
Front	Spoke (Non-Disc Side)	3	154S-CXSPGB277T	CX SPRINT GIANT 14GX277 2.0(3.0x1.0)2.0 BLK W/T-HEAD(REQUIRE OUTSOURCING NYLOK)
Front	Spoke (Disc Side- outer)	4	154S-CXSPGB278T	CX SPRINT GIANT 14GX278 2.0(3.0x1.0)2.0 BLK W/T-HEAD(REQUIRE OUTSOURCING NYLOK)
Front	Spoke (Disc Side- inner)	8	154S-CXSPGB272T	CX SPRINT GIANT 14GX272 2.0(3.0x1.0)2.0 BLK W/T-HEAD(REQUIRE OUTSOURCING NYLOK)
Front	Quick Release		1519-THRUAX-801	GIANT THRU AXLE O12MM 116.8MM ALLOY AXLE(FOR MY18 PROPEL)
Rear	Hub	6	1520-DT240R-801	DT 240 REAR CENTER LOCK FOR SLR0 DISC 11SPD 24X142 12MM BLK W/O QR W/MY18 GIANT CUSTOM LOGO
Rear	Rim	7		SLR0 AERO DISC 700X24H F/V H:65 UD CARBON(M) TUBELESS W/BLUE DECAL
Rear	Spoke(Drive Side-outer)	8	154S-CXSPGB251T	CX SPRINT GIANT 14GX251 2.0(3.0x1.0)2.0 BLK W/T-HEAD(REQUIRE OUTSOURCING NYLOK)
Rear	Spoke(Drive Side-inner)	9	154S-CXSPGB260T	CX SPRINT GIANT 14GX260 2.0(3.0x1.0)2.0 BLK W/T-HEAD(REQUIRE OUTSOURCING NYLOK)
Rear	Spoke(Non-Drive Side-inner)	10	154S-CXSPGB251T	CX SPRINT GIANT 14GX251 2.0(3.0x1.0)2.0 BLK W/T-HEAD(REQUIRE OUTSOURCING NYLOK)
Rear	Spoke(Non-Drive Side-outer)	11	154S-CXSPGB251T	CX SPRINT GIANT 14GX251 2.0(3.0x1.0)2.0 BLK W/T-HEAD(REQUIRE OUTSOURCING NYLOK)
Front/ Rear	Nipple	12	154S-N14GSILI12	SAPIM Inverted 14G 12MM SECURE LOCK ALLOY SIL NIPPLE
Rear	Quick Release		1529-THRUAX-801	GIANT THRU AXLE O12MM 160.8MM ALLOY AXLE(FOR MY18 PROPEL)

3.6 SLR 1 Disc SLR 0 Disc (Front : 42mm + Rear 65mm)

Model : Propel ADPro Disc · Propel ADSL 1 Disc · Propel AD Disc



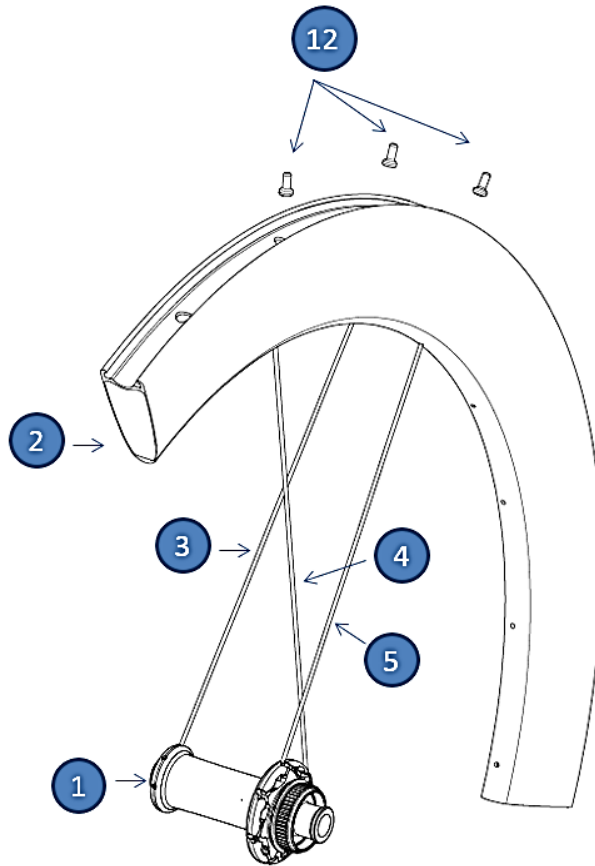
Note : Spoke placement in accordance with the drawings shown
(Spoke #4 is located inside of #5)

Note : Spoke placement in accordance with the drawings shown
(Spoke #9 is located inside of #8)
(Spoke #11 is located inside of #10)

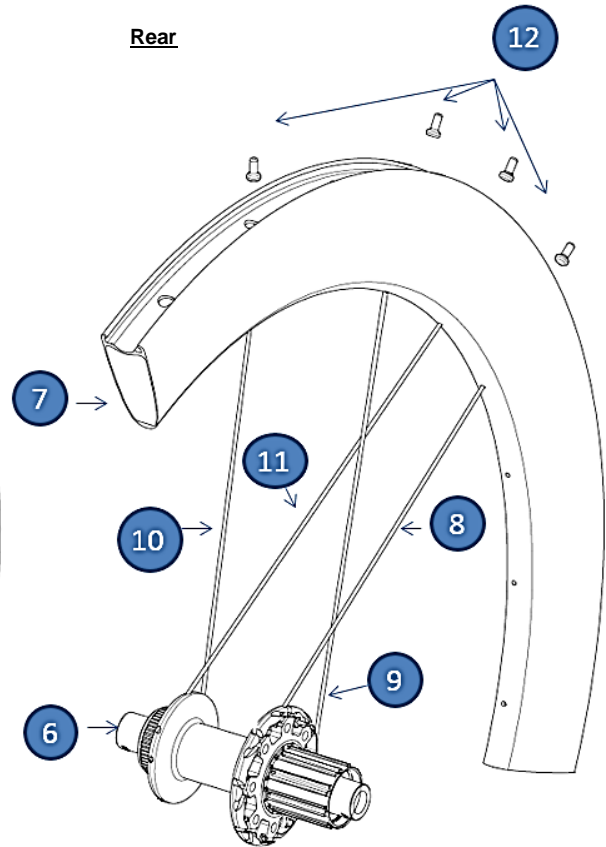
Front/ Rear	Part	Ref.	Part's Number	Spec Description
Front	Hub	1	1510-SLR1AA-801	SLR 1 DISC HUB 21X100 12MM AXLE CENTERLOCK W/SLR1 LG
Front	Rim	2		SLD 0 CLIMB-F 700X21H F/V H:42 CARBON SMOKE 1.4%(M)
Front	Spoke (Non-Disc Side)	3	154S-CXSPGB277T	CX SPRINT GIANT 14GX277 2.0(3.0x1.0)2.0 BLK W/T-HEAD(REQUIRE OUTSOURCING NYLOK)
Front	Spoke (Disc Side- outer)	4	154S-CXSPGB278T	CX SPRINT GIANT 14GX278 2.0(3.0x1.0)2.0 BLK W/T-HEAD(REQUIRE OUTSOURCING NYLOK)
Front	Spoke (Disc Side- inner)	8	154S-CXSPGB272T	CX SPRINT GIANT 14GX272 2.0(3.0x1.0)2.0 BLK W/T-HEAD(REQUIRE OUTSOURCING NYLOK)
Front	Quick Release		1519-THRUAX-701	GIANT THRU AXLE 100MM/O12MM ALLOY AXLE AND ALLOY LEVER
Rear	Hub	6	1520-DT360R-801	DT 360 REAR CENTER LOCK FOR SLR1 DISC 11SPD 24X142 12MM BLK W/O QR W/MY18 GIANT
Rear	Rim	7		SLR1 AERO DISC 700X24H F/V H:65 UD CARBON(M) TUBELESS W/GREEN DECAL
Rear	Spoke(Drive Side-outer)	8	154S-CXSPGB251T	CX SPRINT GIANT 14GX251 2.0(3.0x1.0)2.0 BLK W/T-HEAD(REQUIRE OUTSOURCING NYLOK)
Rear	Spoke(Drive Side-inner)	9	154S-CXSPGB260T	CX SPRINT GIANT 14GX260 2.0(3.0x1.0)2.0 BLK W/T-HEAD(REQUIRE OUTSOURCING NYLOK)
Rear	Spoke(Non-Drive Side-inner)	10	154S-CXSPGB251T	CX SPRINT GIANT 14GX251 2.0(3.0x1.0)2.0 BLK W/T-HEAD(REQUIRE OUTSOURCING NYLOK)
Rear	Spoke(Non-Drive Side-outer)	11	154S-CXSPGB251T	CX SPRINT GIANT 14GX251 2.0(3.0x1.0)2.0 BLK W/T-HEAD(REQUIRE OUTSOURCING NYLOK)
Front/ Rear	Nipple	12	154S-N14GSILI12	SAPIM Inverted 14G 12MM SECURE LOCK ALLOY SIL NIPPLE
Rear	Quick Release		1529-THRUAX-701	GIANT THRU AXLE 142MM/O12MM ALLOY AXLE AND ALLOY LEVER

3.7 SLR 0 Disc (65mm)

Front



Rear



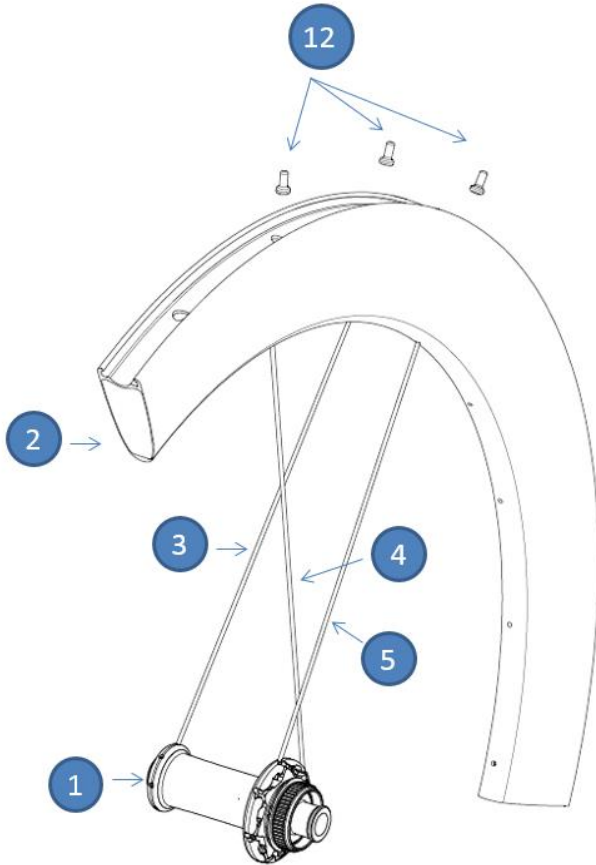
Note : Spoke placement in accordance with the drawings shown
(Spoke #4 is located inside of #5)

Note : Spoke placement in accordance with the drawings shown
(Spoke #9 is located inside of #8)
(Spoke #11 is located inside of #10)

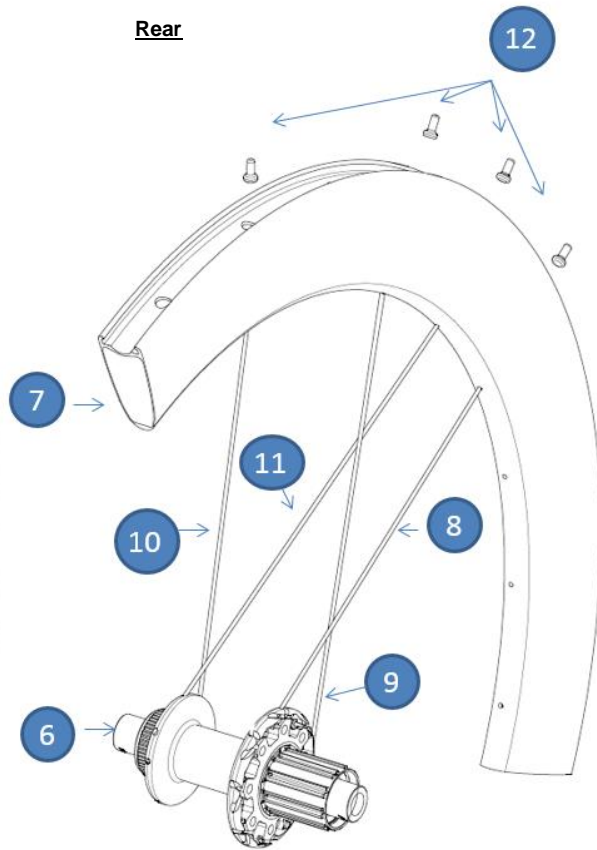
Front Rear	Part	Ref.	Part's Number	Spec Description	Remark
Front	Hub	1	1510-DT360R-801	DT 360 FRONT CENTER LOCK FOR SLR0 DISC 21X100 12MM BLK W/O QR W/MY18 CUSTOM LOGO	
Front	Rim	2		SLR0 AERO DISC 700X21H F/V H:65 UD CARBON(M) TUBELESS W/GREY DECAL	
Front	Spoke (Non-Disc Side)	3	154D-ARLITE254T	DT AEROLITE 2.0/0.9/2.3 T-HEAD BLACK 254MM	
Front	Spoke (Disc Side- outer)	4	154D-ARLITE-255	DT AEROLITE 2.0/0.9/2.3 T-HEAD BLACK 255MM	
Front	Spoke (Disc Side- inner)	5	154D-ARLITE249T	DT AEROLITE 2.0/0.9/2.3 T-HEAD BLACK 249MM	
Front	Quick Release		1519-THRUAX-701	GIANT THRU AXLE 100MM/O12MM ALLOY AXLE AND ALLOY LEVER	
Rear	Hub	6	1520-DT240R-801	DT 240 REAR CENTER LOCK FOR SLR0 DISC 11SPD 24X142 12MM BLK W/O QR W/MY18 GIANT CUSTOM LOGO	
Rear	Rim	7		SLR0 AERO DISC 700X24H F/V H:65 UD CARBON(M) TUBELESS W/GREY DECAL	
Rear	Spoke(Drive Side- outer)	8	154D-ARLITE251T	DT AEROLITE 2.0/0.9/2.3 T-HEAD BLACK 251MM	
Rear	Spoke(Drive Side- inner)	9	154D-ARLITE-261	DT AEROLITE 2.0/0.9/2.3 T-HEAD BLACK 261MM	
Rear	Spoke(Non-Drive Side-inner)	10	154D-ARLITE251T	DT AEROLITE 2.0/0.9/2.3 T-HEAD BLACK 251MM	
Rear	Spoke(Non-Drive Side-outer)	11	154D-ARLITE251T	DT AEROLITE 2.0/0.9/2.3 T-HEAD BLACK 251MM	
Front/ Rear	Nipple	12	154D-N14GAS-401	DT NIPPLE HIDDEN ALUN SIL 2.0x12MM PRO LOCK (NPAF20120N0500)	
Rear	Quick Release		1529-THRUAX-701	GIANT THRU AXLE 142MM/O12MM ALLOY AXLE AND ALLOY LEVER	

3.8 SLR 1 Disc (65mm)

Front



Rear



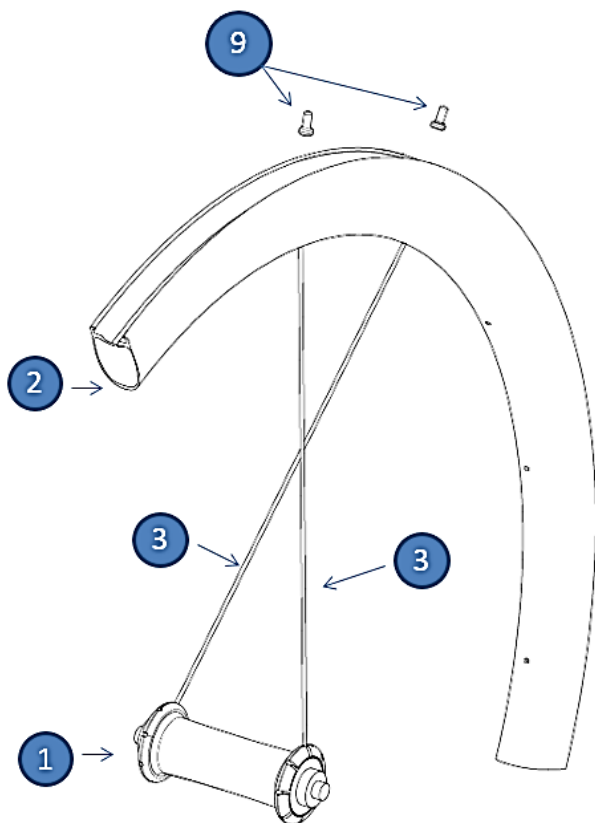
Note : Spoke placement in accordance with the drawings shown
(Spoke #4 is located inside of #5)

Note : Spoke placement in accordance with the drawings shown
(Spoke #9 is located inside of #8)
(Spoke #11 is located inside of #10)

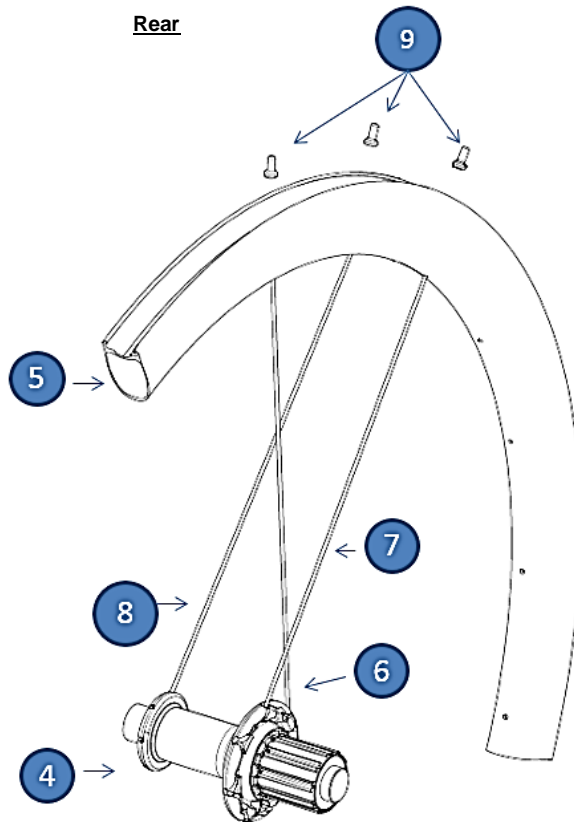
Front Rear	Part	Ref.	Part's Number	Spec Description
Front	Hub	1	1510-DT360R-802	DT 360 FRONT CENTER LOCK FOR SLR1 DISC 21X100 12MM BLK W/O QR W/MY18 CUSTOM LOGO (H370ACDXS21SO4270C)
Front	Rim	2		SLR0 AERO DISC 700X21H F/V H:65 UD CARBON(M) TUBELESS W/GREY DECAL
Front	Spoke (Non-Disc Side)	3	154S-CXSP4B254T	CX-SPRINT 14GX254 2.0(2.2x1.2)2.0 BLK W/ T-HEAD(REQUIRE OUTSOURCING NYLOK)
Front	Spoke (Disc Side- outer)	4	154S-CXSP4B254T	CX-SPRINT 14GX254 2.0(2.2x1.2)2.0 BLK W/ T-HEAD(REQUIRE OUTSOURCING NYLOK)
Front	Spoke (Disc Side- inner)	5	154S-CXSP4B249T	CX-SPRINT 14GX249 2.0(2.2x1.2)2.0 BLK W/ T-HEAD(REQUIRE OUTSOURCING NYLOK)
Front	Quick Release		1519-THRUAX-701	GIANT THRU AXLE 100MM/O12MM ALLOY AXLE AND ALLOY LEVER
Rear	Hub	6	1520-DT360R-801	DT 360 REAR CENTER LOCK FOR SLR1 DISC 11SPD 24X142 12MM BLK W/O QR W/MY18 GIANT CUSTOM LOGO
Rear	Rim	7		SLR 0 DISC DBL FULL CARBON Rear 700x24H F/V (MY18) CARBON SMOKE 1.4% (M)
Rear	Spoke(Drive Side- outer)	8	154S-CXSP4B251T	CX-SPRINT 14GX251 2.0(2.2x1.2)2.0 BLK W/ T-HEAD(REQUIRE OUTSOURCING NYLOK)
Rear	Spoke(Drive Side- inner)	9	154S-CXSP4B260T	CX-SPRINT 14GX260 2.0(2.2x1.2)2.0 BLK W/ T-HEAD(REQUIRE OUTSOURCING NYLOK)
Rear	Spoke(Non-Drive Side-inner)	10	154S-CXSP4B251T	CX-SPRINT 14GX251 2.0(2.2x1.2)2.0 BLK W/ T-HEAD(REQUIRE OUTSOURCING NYLOK)
Rear	Spoke(Non-Drive Side-outer)	11	154S-CXSP4B251T	CX-SPRINT 14GX251 2.0(2.2x1.2)2.0 BLK W/ T-HEAD(REQUIRE OUTSOURCING NYLOK)
Front/ Rear	Nipple	12	154S-N14GSILI12	SAPIM Inverted 14G 12MM SECURE LOCK ALLOY SIL NIPPLE
Rear	Quick Release		1529-THRUAX-701	GIANT THRU AXLE 142MM/O12MM ALLOY AXLE AND ALLOY LEVER

3.9 SLR 0 (42mm)

Front



Rear

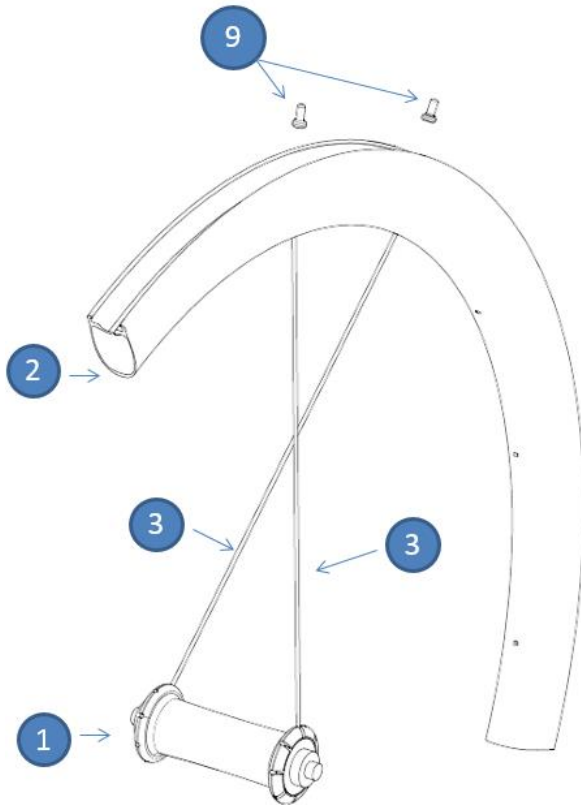


Note : Spoke placement in accordance with the drawings shown
(Spoke #6 is located inside of #7)

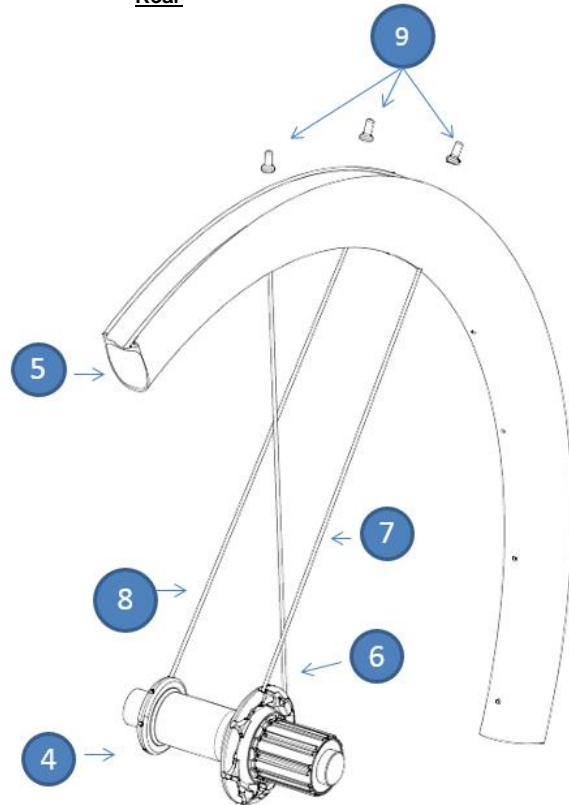
Front/ Rear	Part	Ref.	Part's Number	Spec Description
Front	Hub	1	1510-DT240R-701	DT 240S FRONT HUB ANO. MATT BLK FOR SLR0 AERO/SLR0 CLIMB 16X100 5MM W/O QR W/MY16 CUSTOM LOGO
Front	Rim	2		SLR 0 CLIMB-F 700X16H F/V H:42 UD TUBELESS
Front	Spoke	3	154D-ARLITE274T	DT AEROLITE 2.0/0.9/2.3 T-HEAD BLACK 274MM
Front	Quick Release		1519-THRUAX-701	GIANT THRU AXLE 100MM/O12MM ALLOY AXLE AND ALLOY LEVER
Rear	Hub	4	1520-DT240R-701	DT 240S REAR HUB ANO. MATT BLK FOR SLR0 AERO/SLR0 CLIMB 11SPD 21X130 5MM BLK W/O QR W/MY16 GIANT CUSTOM LOGO
Rear	Rim	5		SLR 0 CLIMB-R 700X21H F/V H:42 UD TUBELESS
Rear	Spoke(Drive Side-inner)	6	154D-ARCOMP-274	DT AERO COMP 2.0/1.25/2.3 T-HEAD BLACK 274MM
Rear	Spoke(Drive Side-outer)	7	154D-ARLITE268T	DT AEROLITE 2.0/0.9/2.3 T-HEAD BLACK 268MM
Rear	Spoke(Non-Drive Side-inner)	8	154D-ARCOMP-276	DT AERO COMP 2.0/1.25/2.3 T-HEAD BLACK 276MM
Front/ Rear	Nipple	9	154D-N14GAS-401	DT NIPPLE HIDDEN ALUN SIL 2.0x12MM PRO LOCK (NPAF20120N0500)
Rear	Quick Release		1529-THRUAX-701	GIANT THRU AXLE 142MM/O12MM ALLOY AXLE AND ALLOY LEVER
Front/ Rear	Tubeless Tire Valve		1570-XH591A-701	XH-591 45MM VALVE BLK FOR TUBELESS TIRE (FOR GIANT ON/OFF ROAD WHEEL)

3.10 SLR 1 (42mm)

Front



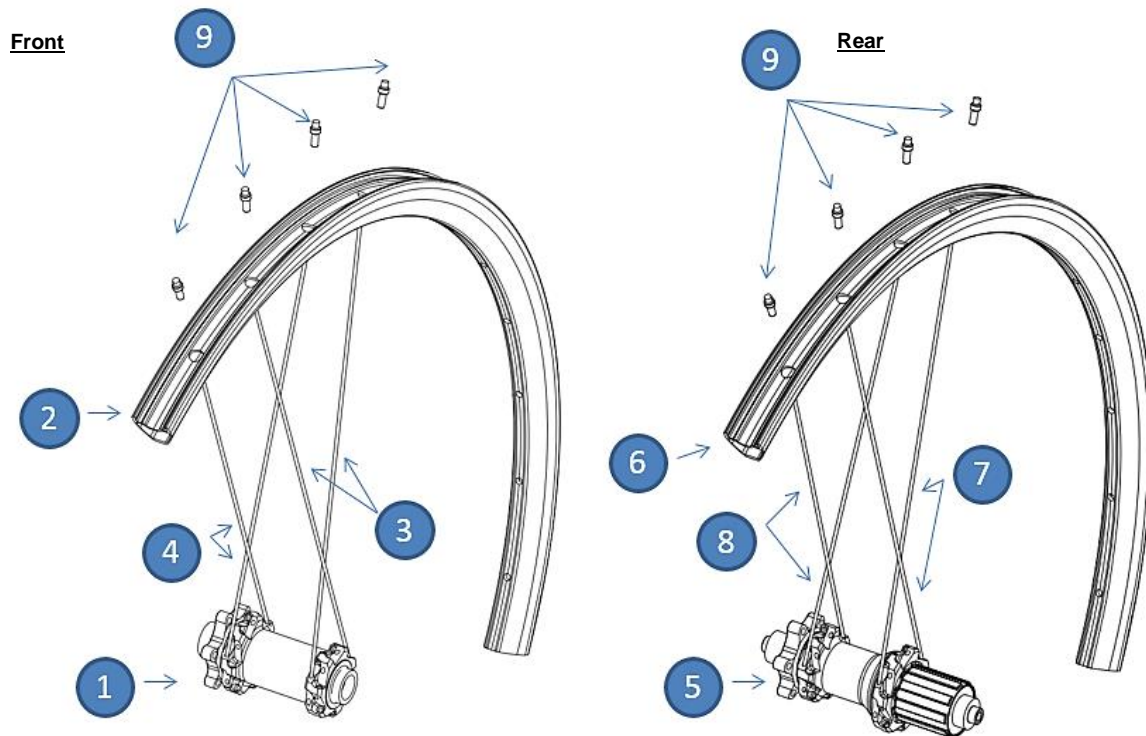
Rear



Note : Spoke placement in accordance with the drawings shown
(Spoke #6 is located inside of #7)

Front Rear	Part	Ref.	Part's Number	Spec Description
Front	Hub	1	1510-DT360R-701	DT 360 FRONT HUB ANO. MATT BLK FOR SLR1/SL1 16X100 5MM W/O QR W/MY16 CUSTOM LOGO
Front	Rim	2		SLR 0 DISC DBL FULL CARBON Front 700x21H F/V (MY18) CARBON SMOKE 1.4% (M)
Front	Spoke	3	154S-CXRY4B274T	CX RAY 14GX276 2.0(0.9x2.2)2.0 W/ T-HEAD BLK(REQUIRE OUTSOURCING NYLOK)
Front	Quick Release		1519-THRUAX-701	GIANT THRU AXLE 100MM/O12MM ALLOY AXLE AND ALLOY LEVER
Rear	Hub	4	1520-DT240R-701	DT 240S REAR HUB ANO. MATT BLK FOR SLR0 AERO/ SLR0 CLIMB 11SPD 21X130 5MM BLK W/O QR W/MY16 GIANT CUSTOM LOGO
Rear	Rim	5		SLR 0 DISC DBL FULL CARBON Rear 700x24H F/V (MY18) CARBON SMOKE 1.4% (M)
Rear	Spoke(Drive Side-inner)	6	154S-CXSP4B274T	CX-SPRINT 14GX274 2.0(2.2x1.2)2.0 BLK W/ T-HEAD(REQUIRE OUTSOURCING NYLOK)
Rear	Spoke(Drive Side-outer)	7	154S-CXRY4B268T	CX RAY 14GX268 2.0(0.9x2.2)2.0 W/ T-HEAD BLK(REQUIRE OUTSOURCING NYLOK)
Rear	Spoke(Non-Drive Side-inner)	8	154S-CXSP4B276T	CX-SPRINT 14GX276 2.0(2.2x1.2)2.0 BLK W/ T-HEAD(REQUIRE OUTSOURCING NYLOK)
Front/ Rear	Nipple	9	154S-N14GSIL112	DT NIPPLE HIDDEN ALUN SIL 2.0x12MM PRO LOCK (NPAF20120N0500)
Rear	Quick Release		1529-THRUAX-701	GIANT THRU AXLE 142MM/O12MM ALLOY AXLE AND ALLOY LEVER

3.11 CXR-1



Note : Spoke placement in accordance with the drawings shown

CXR-1

Front Rear	Part	Ref.	Part's Number	Spec Description	Remark
Front	Hub	1	1510-RX1805-802	GRX1805 14X28X100MM ANOD BLK 2SB 12MM AXLE W/GIANT PATTERN LG(LG33) W/O QR	
Front	Rim	2		P-XCR9-F Composite-Front 29"x28H W=21 F/V (MY18) 增強版	
Front	Spoke(Non-Disc Side)	3	154S-R1415SB299	RACE STRAIGHT PULL 14G-15GX299 2.0x1.8x2.0 TCS BLK	MOQ:20
Front	Spoke(Disc Side)	4	154S-R1415SB298	RACE STRAIGHT PULL 14G-15GX298 2.0x1.8x2.0 TCS BLK	MOQ:20
Front	Quick Release		1519-THRUAX-701	GIANT THRU AXLE 100MM/O12MM 116.8MM ALLOY AXLE AND ALLOY LEVER	
Rear	Hub	5	1520-RX1804-801	GRX-1804 28X142 MATT BLK (JY001C) 12MM AXLE W/GIANT PATTERN LG WO/QR FOR SHIMANO	
Rear	Rim	6		P-XCR9-R Composite-Rear 29"x28H W=21 F/V MY18) 增強版	
Rear	Spoke(Drive Side)	7	154S-R1415SB298	RACE STRAIGHT PULL 14G-15GX298 2.0x1.8x2.0 TCS BLK	MOQ:20
Rear	Spoke(Non-Drive Side)	8	154S-R1415SB299	RACE STRAIGHT PULL 14G-15GX299 2.0x1.8x2.0 TCS BLK	MOQ:20
Front /Rear	Nipple	9	154S-N14ADSBK16	NIPPLE AL ROUND DOUBLE SQUARE 2.0x16MM BLK SECURE LOCK	MOQ:100
Rear	Quick Release		1519-THRUAX-701	GIANT THRU AXLE 142MM/O12MM ALLOY AXLE AND ALLOY LEVER	
Front /Rear	Valve		1570-XH591A-701	XH-591 45MM VALVE BLK FOR TUBELESS TIRE(FOR GIANT ON/OFF ROAD WHEEL)	
Front /Rear	Valve Adaptor		1579-ADAPTR-701	VLD-259 VALVE ADAPTOR FOR TRX0/1, XCR0/1, PX2/SX2, XC1/2	

4. Hub System

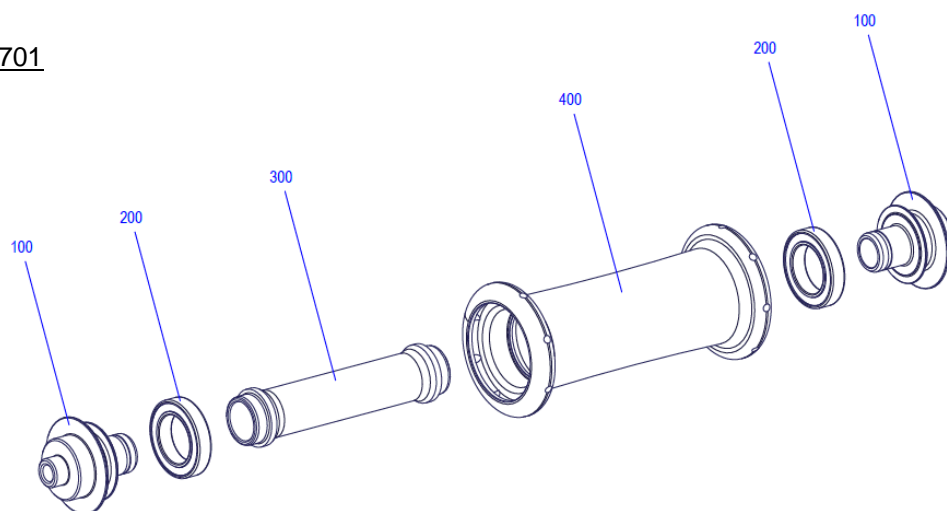
4.1 Hub System overview

Model Year	Hub System	F/R	PN	Description	Model
MY18	GDC 240 F	Front	1510-DT240R-701	16H X100, 5MM	SLR0 (30mm) SLR0 Aero (42mm) SLR0 Aero (55mm)
MY18	GDC 240 R	Rear	1520-DT240R-701	21H X130, 5MM	SLR0 (30mm) SLR0 Aero (42mm) SLR0 Aero (55mm)
			1520-DT240R-801	Disc 24H X142, 12MM	SLR0 Disc (30mm) SLR0 Aero Disc (42mm) SLR0 Aero Disc (55mm) SLR0 Aero Disc (65mm)
MY18	GDC 360 F	Front	1510-DT360R-701	16H X 100, 5MM	SL (30mm) SLR1 (30mm) SL1 Aero (55mm) SLR1 Aero (42mm) SLR1 Aero (55mm)
			1510-DT360R-801	Disc 28H X110, 15MM	SLR0 Disc (30mm) SLR0 Aero Disc (42mm) SLR0 Aero Disc (55mm) SLR0 Aero Disc (65mm)
			1510-DT360R-802	Disc 21H X100, 12MM	SLR1 Disc (30mm) SLR1 Aero Disc (42mm) SLR1 Aero Disc (55mm) SLR1 Aero Disc (65mm)
MY18	GDC 360 R	Rear	1520-DT360R-801	Disc 24HX142, 12MM	SLR1 Disc (30mm) SLR1 Aero Disc (42mm) SLR1 Aero Disc (55mm) SLR1 Aero Disc (65mm)
MY18	GRX 805	Front	1510-RX1805-802	Disc 14X28X100, 12MM	CXR-1 Disc
MY18	GRX 804	Rear	1520-RX1804-801	Disc 28HX142, 12MM	CXR-1 Disc

4.2 GDC 240F

4.2.1 Front

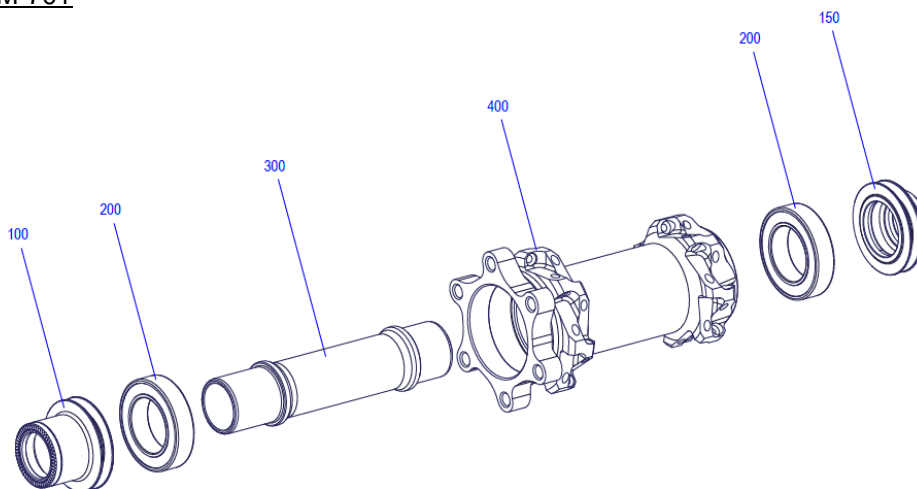
1510-DT240R-701



Front Rear	Part	GTM parts no.	Ref.	Spec Description
Front	HUB SHELL		400	FW HUB SHELL 24P NONDISC BM R16 GIA
Front	AXLE	HRCXXX00N6744S	300	FW AXLE AL 100MM Ø15/64.1MM
Front	BEARING	HSBXXX00N1244S	200	B.BEARING 6802 ESB/ESNB
Front	ADAPTOR	HWAXXX00S6752C	100	FW ADAPT BG 100X NONDISC QR BLACK

4.2.2 Front

1510-DT240M-701



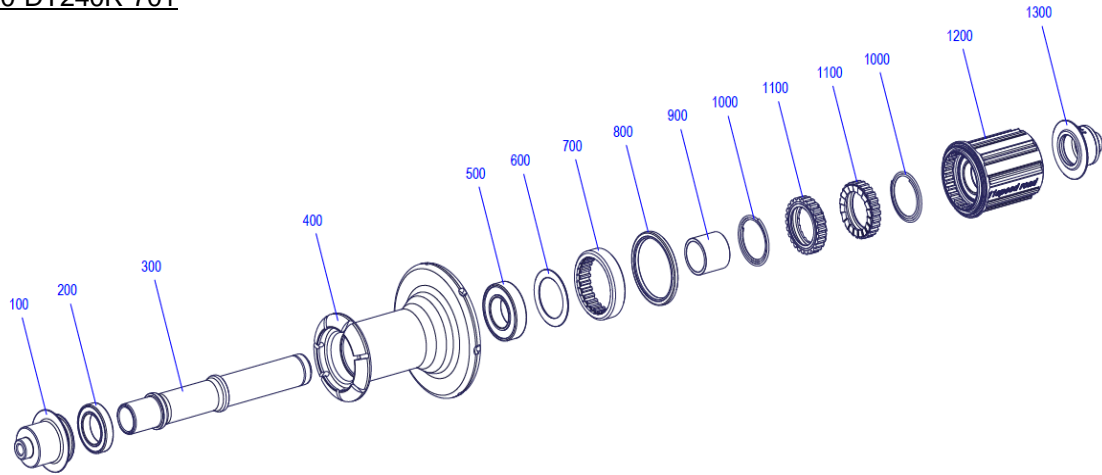
Front Rear	Part	DT no.	Ref.	Spec Description
Front	HUB SHELL	HWH11028S9327C	400	FW HUBSHELL 240 DBIS 110 BM WS B
Front	AXLE	HRCXXX00N6451S	300	FW AXLE AL 110MM Ø18/64.3MM
Front	BEARING	HSBXXX00N3742S (HSBXXX00N2148S)	200	B.BEARING ESB/ESNB 6903, spec.ID Ø18
Front	ADAPTOR	HWAXXX00S4468S	100	FW ADAPT WP 100L DBCL TA15 OR B 240S
Front	ADAPTOR	HWAXXX00S4469S	150	FW ADAPT WP 100X DISC TA15 OR 240S

**() is substitution part number, technically they are identical to each other.

4.3 GDC 240R

4.3.1 Rear

1520-DT240R-701

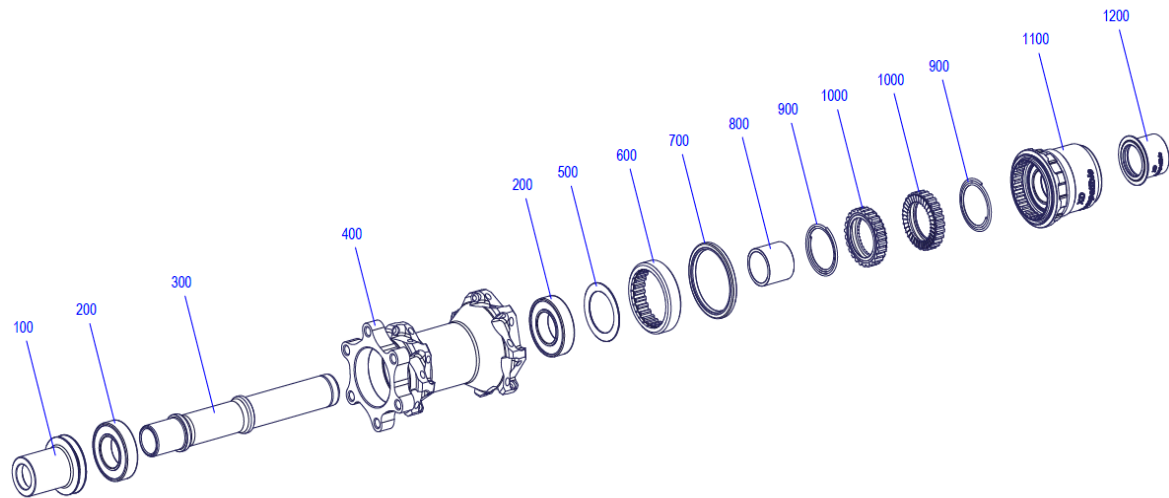


Front Rear	Part	DT no.	Ref.	Spec Description
Rear	HUB SHELL		400	RW HUBSHELL 24P ROAD BM S21 GIA
Rear	AXLE	HCCXXX00S2216S	300	RW AXLE AL XXXMM Ø15/42.1MM
Rear	BEARING	HSBXXX00N1244S	200	B.BEARING 6802 ESB/ESNB
Rear	BEARING	HSBXXX00N1468S	500	B.BEARING 6902 ESB/ESNB
Rear	SHIM RING	HCDXXX00S1083S	600	SHIM RING Ø28/20X0.5MM
Rear	RING NUT	HCDXXX00S1110S	700	RING NUT ALLOY M34X1 240
Rear	SEAL	HSOXXX00N1031S	800	SEAL HUB/ROTOR (Ø30x36x2.5mm)
Rear	SPACER	HCDXXX00S1077S	900	SPACER ALLOY 15,4MM BL
Rear	SPRING	HXDXXX00N1087S	1000	SPRING HÜGI 240/FR/240S/44
Rear	STAR RATCHET	HCDXXX00N1742S	1100	STAR RATCHET SL
Rear	ROTOR	HWRABX00S2799S	1200	ROTOR BG ASLS11 ROAD S KL_S
Rear	LEFT ADAPTOR	HWAXXX00S6751C	100	RW ADAPT BG 130L QR BLACK
Rear	RIGHT ADAPTOR	HWAXXX00S2777S	1300	RW ADAPTER BG ROAD 130R QR S 11SPEED

4.3.3 **Rear**

1520-DT240M-701(SRAM XD)

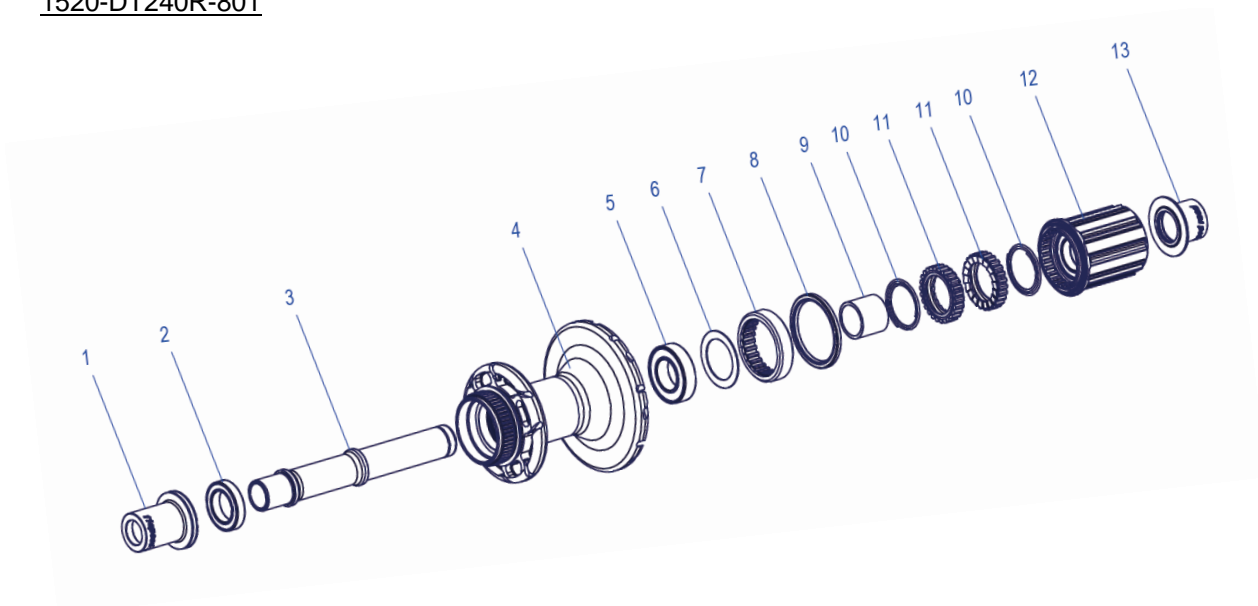
1520-DT240M-702(SHIMANO& SRAM Non-XD)



F/R	Part	DT no.	Ref.	Spec Description
Rear	LEFT ADAPTOR	HWA00100S2193C	100	RW ADAPT WP 142L DBIS TA12 B
Rear	BEARING	HSBXXX00N1468S	200	B.BEARING 6902 ESB/ESNB
Rear	AXLE	HCCXXX00S6450S	300	RW AXLE AL XXXMM Ø15/48.1MM
Rear	HUB SHELL	HWH11028S9332C	400	RW HUBSHELL 240 DBIS BO 148 BM WS B
Rear	SHIM RING	HCDXXX00S1083S	500	SHIM RING Ø28/20X0.5MM
Rear	RING NUT	HCDXXX00S1110S	600	RING NUT ALLOY M34X1 240
Rear	SEAL	HSOXXX00N1031S	700	SEAL HUB/ROTOR (Ø30x36x2.5mm)
Rear	SPACER	HCDXXX00S1077S	800	SPACER ALLOY 15,4MM BL
Rear	SPRING	HXDXXX00N1087S	900	SPRING HÜGI 240/FR/240S/440
Rear	STAR RATCHET	HCDXXX00N1742S	1000	STAR RATCHET SL
Rear	ROTOR	HWRAAX00S3114S	1100	ROTOR BG ASRAM XD MTB B BB_S(1520-DT240M-701)
Rear	RIGHT ADAPTOR	HWAXXX00S3188S	1200	RW ADAPT WP XXXR SA12 S SRAM XD(1520-DT240M-701)
Rear	ROTOR	HWRABX00S1996S	1100	ROTOR WP ASLS B BB_S (1520-DT240M-702)
Rear	RIGHT ADAPTOR	HWA00100S2192C	1200	RW ADAPT WP 142R DBIS SA12S(1520-DT240M-702)

4.3.4 Rear

1520-DT240R-801

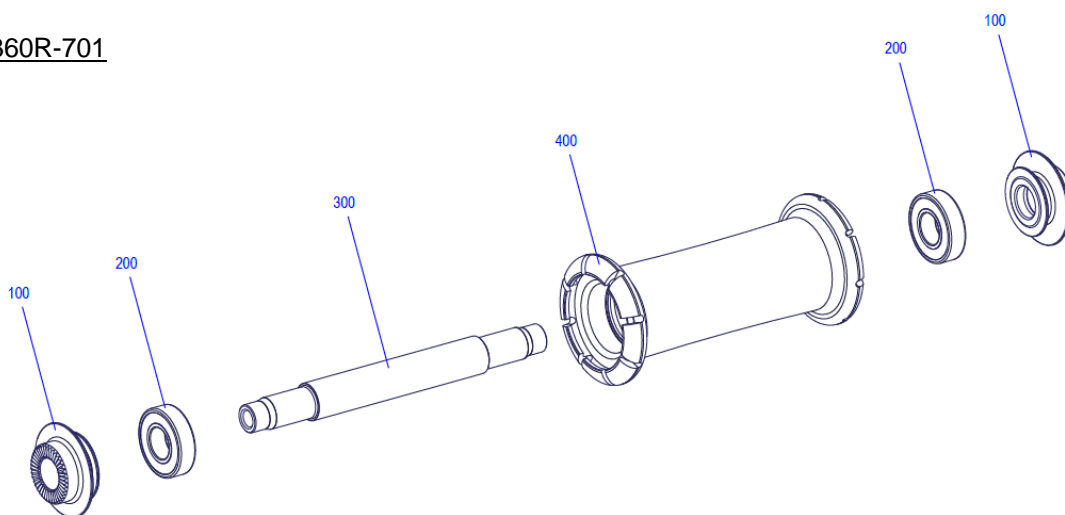


Front Rear	Part	DT parts no.	Ref.	Spec Description
Rear	LEFT ADAPTOR	HWAXXX00S6333S	1	RW ADAPT WP ROAD DB 142.0L TA12 B 11S
Rear	BEARING	HSBXXX00N1468S	2	B.BEARING 6902 ESB/ESNB
Rear	AXLE	HCCXXX00S2181S	3	RW AXLE AL XXXMM Ø15/44.1MM
Rear	HUB SHELL	HWH11024S4275C	4	RW HUBSHELL 240 DBCL B S24 GIANT SLR0 WS HWH11024S4275C
Rear	BEARING	HSBXXX00N1244S	5	B.BEARING 6802 ESB/ESNB
Rear	SHIM RING	HCDXXX00S1083S	6	SHIM RING Ø28/20X0.5MM
Rear	RING NUT	HCDXXX00S1110S	7	RING NUT ALLOY M34X1 240
Rear	SEAL	HSOXXX00N1031S	8	SEAL HUB/ROTOR (Ø30x36x2.5mm)
Rear	SPACER	HRDXXX00N4636S	9	SPACER ALLOY 15.4 (ROTOR S)
Rear	SPRING	HXDXXX00N1087S	10	SPRING HÜGI 240/FR/240S/440
Rear	STAR RATCHET	HCDXXX00N1742S	11	STAR RATCHET SL
Rear	ROTOR	HWRABX00S2799S	12	ROTOR WP ASLS11 ROAD B BB_S H
Rear	RIGHT ADAPTOR	HWA00100S3525C	13	RW ADAPT WP ROAD 142R TA12 B 11SPEED

4.4 GDC 360F

4.4.1 Front

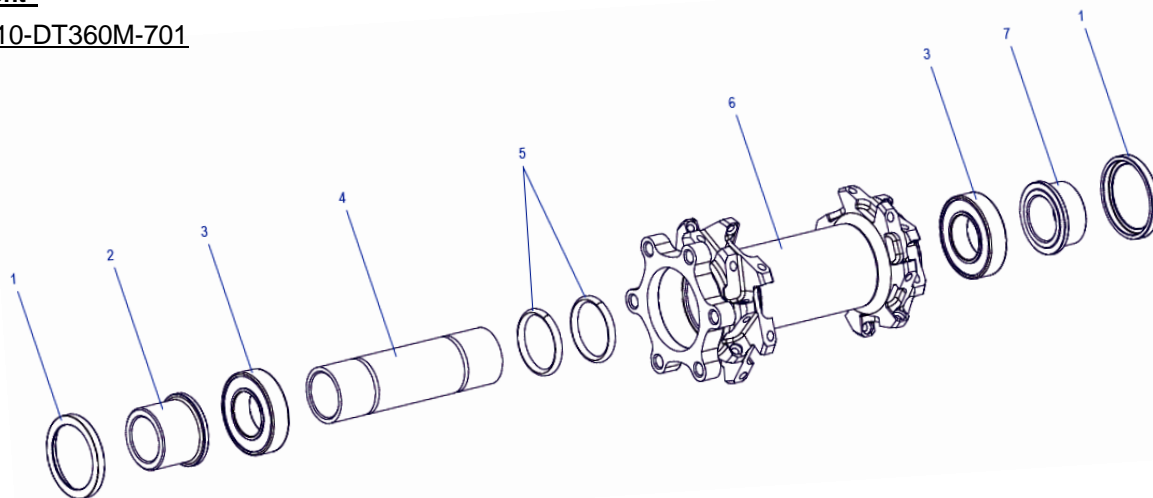
1510-DT360R-701



Front Rear	Part	Ref.	DT no.	Spec Description
Front	HUB SHELL	400		FW HUBSHELL 240 DBIS BLA R28 GIA
Front	AXLE	300	HCCXX00S3979S	FW AXLE AL 100MM Ø18/54.3MM 240 DBCL
Front	BEARING	200	HSBXXX00N2622S	B.BEARING ESB/ESNB 6903, spec.ID Ø18
Front	ADAPTOR	100	HWAXXX00S6753C	FW ADAPT WP 100L DBCL SA15 S 240S

4.4.2 Front

1510-DT360M-701

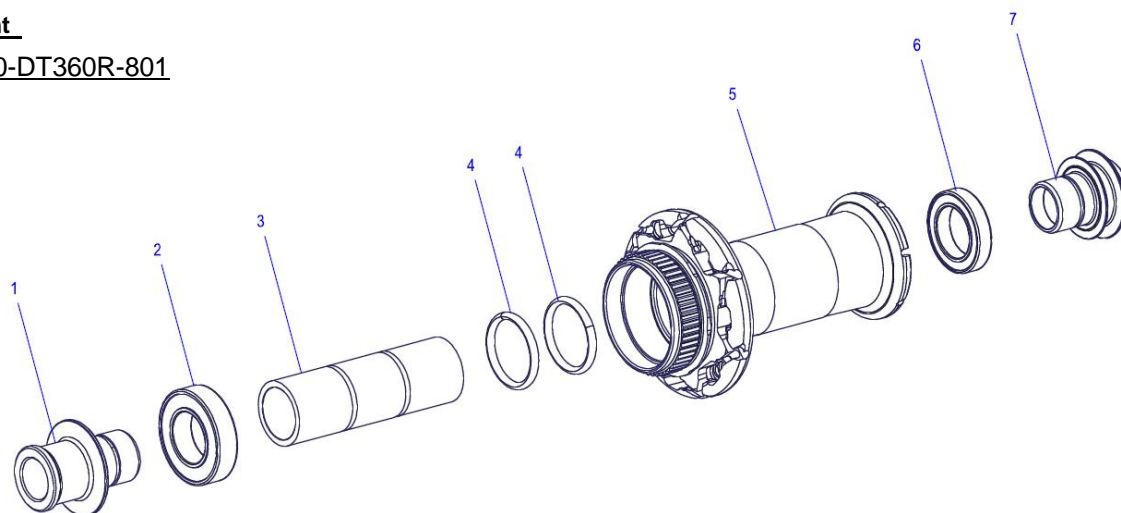


F R	Part	DT no.	Ref.	Spec Description
Rear	COVER	HCD00100S4603S	1	FW COVER FRO TA15MM
Rear	LEFT ADAPTOR	HCA00100S4601S	2	FW ADAPT SP 100L DBCL TA15 B
Rear	BEARING	HSBXXX00N2336S (HSBXXX00N1468S)	3	B.BEARING 6902 ESB/ESNB L
Rear	AXLE	HXD00000N6449S	4	SPACER Ø15MM X 67.2MM
Rear	O-RING	HSOXXX00X2164S	5	O- RING Ø18 X 2.5MM NBBR 70 SHORE ISO3601
Rear	HUB SHELL	HWH11028S9546C	6	FW HUBSHELL 370 DBIS BO 110 BM WS B
Rear	RIGHT ADAPTOR	HCA00100S4602S	7	FW ADAPT SP 100R DBCL TA15 B

** () is substitution part number, technically they are identical to each other.

4.4.3 Front

1510-DT360R-801

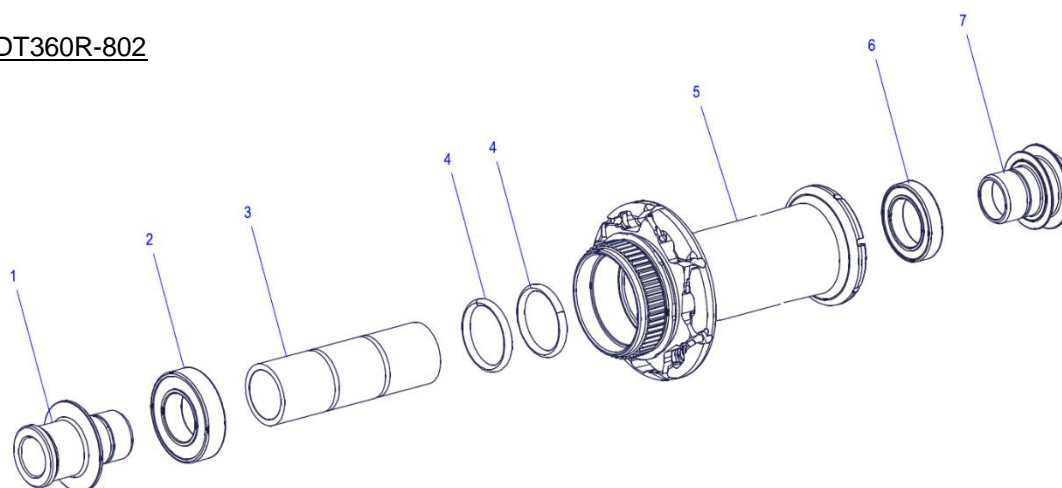


FJR	Part	DT no.	Ref.	Spec Description
Rear	LEFT ADAPTOR	HWAXXX00S6885S	1	FW ADAPT WP 100L DISC TA12 B
Rear	BEARING	HSBXXX00N3221S (HSBXXX00N1468S)	2	B.BEARING 6902 ESB/ESNB M
Rear	AXLE	HXD00000N0325S	3	SPACER Ø15MM x 59.2MM
Rear	O-RING	HSOXXX00X2164S	4	O-RING Ø18X2.5MM NBR 70 SHORE ISO3601
Rear	HUB SHELL	HWH11021S4266C	5	FW HUBSHELL 370/350 CL B S21 GIA SLR0 WS
Rear	BEARING	HSBXXX00N3222S (HSBXXX00N1244S)	6	B.BEARING 6802 ESB/ESNB M
Rear	RIGHT ADAPTOR	HWAXXX00S3179S	7	FW ADAPT WP 100X DISC TA12 B

** () is substitution part number, technically they are identical to each other.

4.4.3 Front

1510-DT360R-802

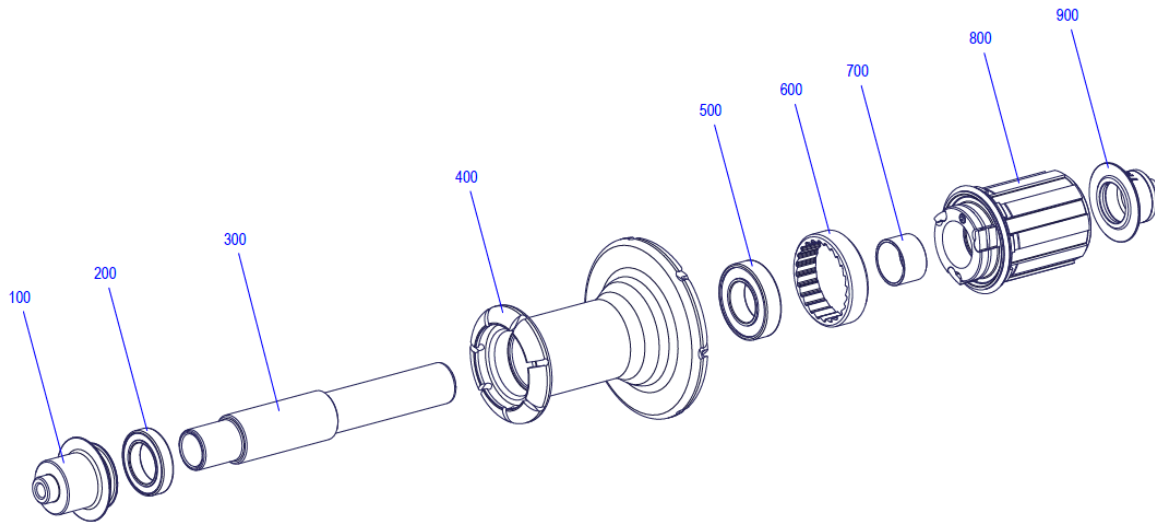


FJR	Part	DT no.	Ref.	Spec Description
Rear	LEFT ADAPTOR	HWAXXX00S6885S	1	FW ADAPT WP 100L DISC TA12 B
Rear	BEARING	HSBXXX00N3221S (HSBXXX00N1468S)	2	B.BEARING 6902 ESB/ESNB M
Rear	AXLE	HXD00000N0325S	3	SPACER Ø15MM x 59.2MM
Rear	O-RING	HSOXXX00X2164S	4	O-RING Ø18X2.5MM NBR 70 SHORE ISO3601
Rear	HUB SHELL	HWH11021S4267C	5	FW HUBSHELL 370/350 CL B S21 GIA SLR1 WS
Rear	BEARING	HSBXXX00N3222S (HSBXXX00N1244S)	6	B.BEARING 6802 ESB/ESNB M
Rear	RIGHT ADAPTOR	HWAXXX00S3179S	7	FW ADAPT WP 100X DISC TA12 B

4.5 GDC 360R

4.5.1 Rear

1520-DT360R-602



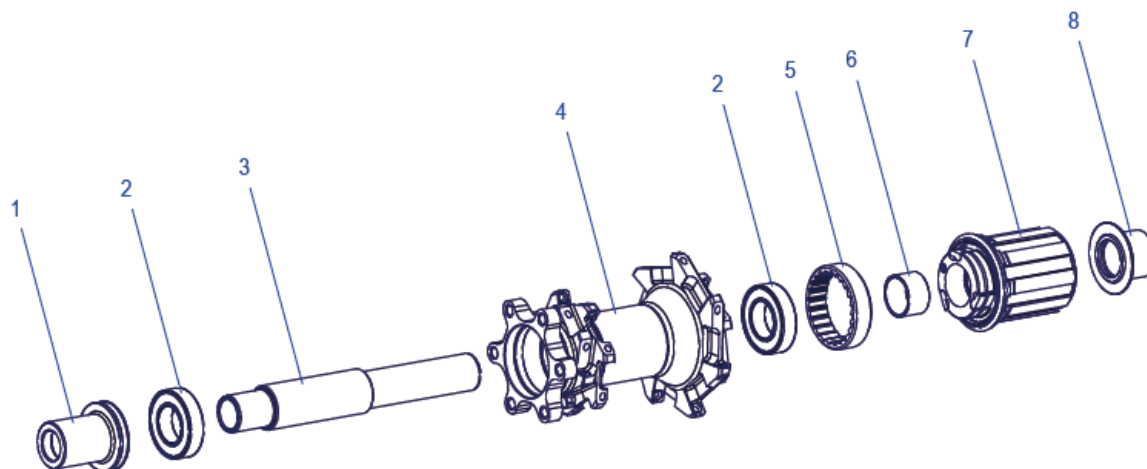
Front Rear	Part	Ref.		Spec Description
Rear	HUB SHELL	400		RW NABENGEH 37P ROAD BLACK S21 GIA
Rear	AXLE	300	HCCXXX00N4635S	RW AXLE AL 130MM Ø18/42.1MM
Rear	BEARING	200	HSBXXX00N1244S	B.BEARING 6802 ESB/ESNB
Rear	BEARING	500	HSBXXX00N1468S	B.BEARING 6902 ESB/ESNB
Rear	RING NUT	600	HCDXXX00N6137S	RING NUT STEEL M34X1 3P
Rear	SPACER	700	HCDXXX00S4190S	SPACER STEEL 10.1MM BL
Rear	LEFT ADAPTOR	100	HWAXXX00S6751C	RW ADAPT BG 130L QR BLACK
Rear	RIGHT ADAPTOR	900	HWAXXX00S4464S	RW ADAPTER BG ROAD 130R QR S 11SPEED L
Rear	ROTOR	800	HWRABM00S4188S	ROTOR BG ASS11 3P S KL_M
Rotor	PAWL		HCDXXX00S4074S	PAWL
	SEAL		HSOXXX00N4083S	SEAL HUB/ROTOR NBR 70 (PAWL SYSTEM)
	SPRING		HDXXXX00S4197S	RETAINER SPRING Ø21.4

4.5.2

Rear

1520-DT360M-701 (SRAM XD)

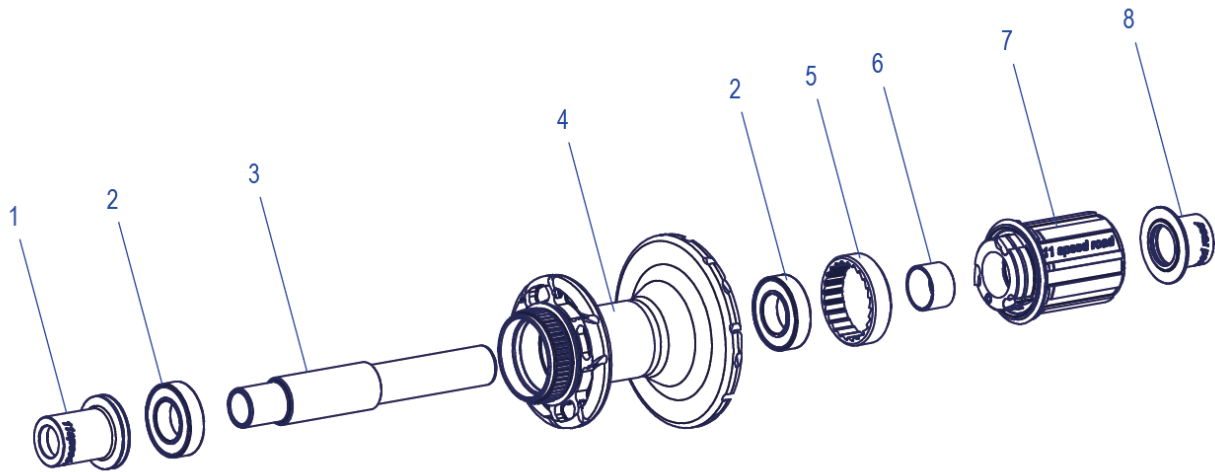
1520-DT360M-702 (SHIMANO &SRAM Non-XD)



F R	Part	DT no.	Ref.	Spec Description
Rear	LEFT ADAPTOR	HWAXXX00S4648S (HWA00100S2193)	1	RW ADAPT WP 142L TA12B
Rear	BEARING	HSBXXX00N3221S (HSBXXX00N1468S)	2	B.BEARING 6902 ESB/ESNB M
Rear	AXLE	HCCXXX00N6645S (HCCXXX00S6450S)	3	RW AXLE AL 148MM Ø18/48.1MM
Rear	HUB SHELL	HWH11028S9545C	4	RW HUBSHELL 360 DBIS BO 148 BM WS B
Rear	RING NUT	HCDXXX00N6137S	5	RING NUT STEEL M34X13P
Rear	SPACER	HCDXXX00S4190S	6	SPACER STEEL 10.1MM B
Rear	ROTOR	HWRABM00S3869S	7	ROTOR WP ASRAM XD 3P B BB_M (1520-DT360M-701)
Rear	RIGHT ADAPTOR	HWAXXX00S3188S	8	RW ADAPT WP XXXR TA12 B SRAM XD (1520-DT360M-701)
Rear	ROTOR	HWRABM00S4193S	7	ROTOR WP ASS 3P B BB_M (1520-DT360M-702)
Rear	RIGHT ADAPTOR	HWAXXX00S4637S (HWA00100S2192C)	8	RW ADAPT WP 142R TA12B(1520-DT360M-702)

**() is substitution part number, technically they are identical to each other.

4.5.3 **Rear**
1520-DT360R-801



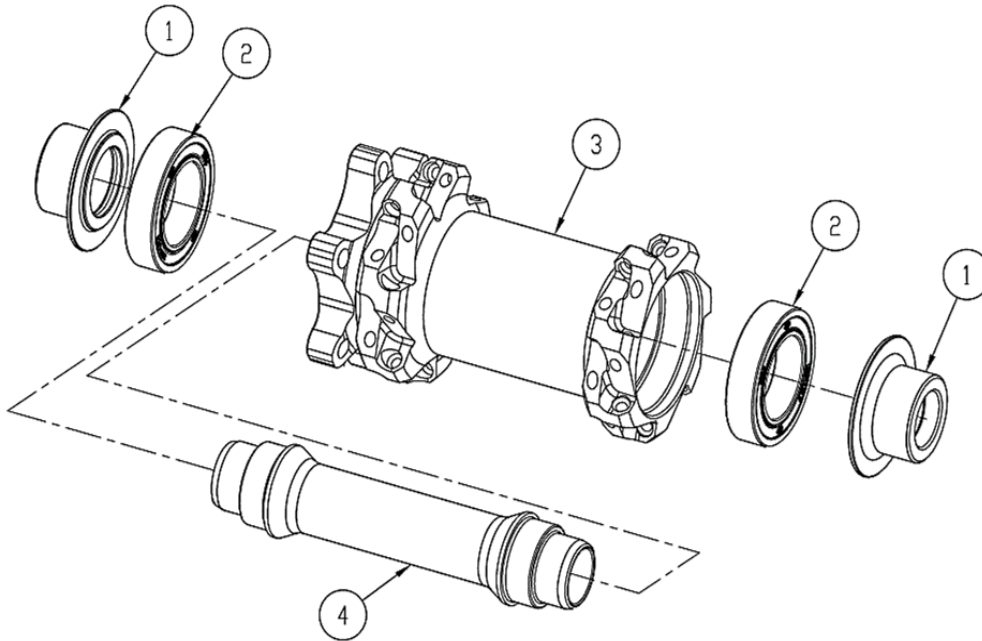
FJR	Part	DT no.	Spec Description
Rear	LEFT ADAPTOR	HWAXXX00S6333S	RW ADAPT BG ROAD DB 142.0L SA12 B 11S
Rear	BEARING	HSBXXX00N3221S (HSBXXX00N1468S)	B.BEARING 6902 ESB/ESNB M
Rear	AXLE	HCCXXX00N4635S	RW AXLE AL XXXMM Ø15/42.1MM L
Rear	HUB SHELL	HWH11024S4280C	RW HUBSHELL 360 DBCL B S24 GIANT SLR1 WS
Rear	RING NUT	HCDXXX00N6137S	RING NUT STEEL M34X1 3P
Rear	SPACER	HCDXXX00S4190S	SPACER STEEL 10.1MM BL
Rear	ROTOR	HWRABM00S4188S	ROTOR BG ASS11 3P S KL_M
Rear	RIGHT ADAPTOR	HWA00100S3525C	RW ADAPT BG ROAD 142R SA12 S 11SPEED

** () is substitution part number, technically they are identical to each other.

4.6 GRX 805F

Front

1510-RX1805-801

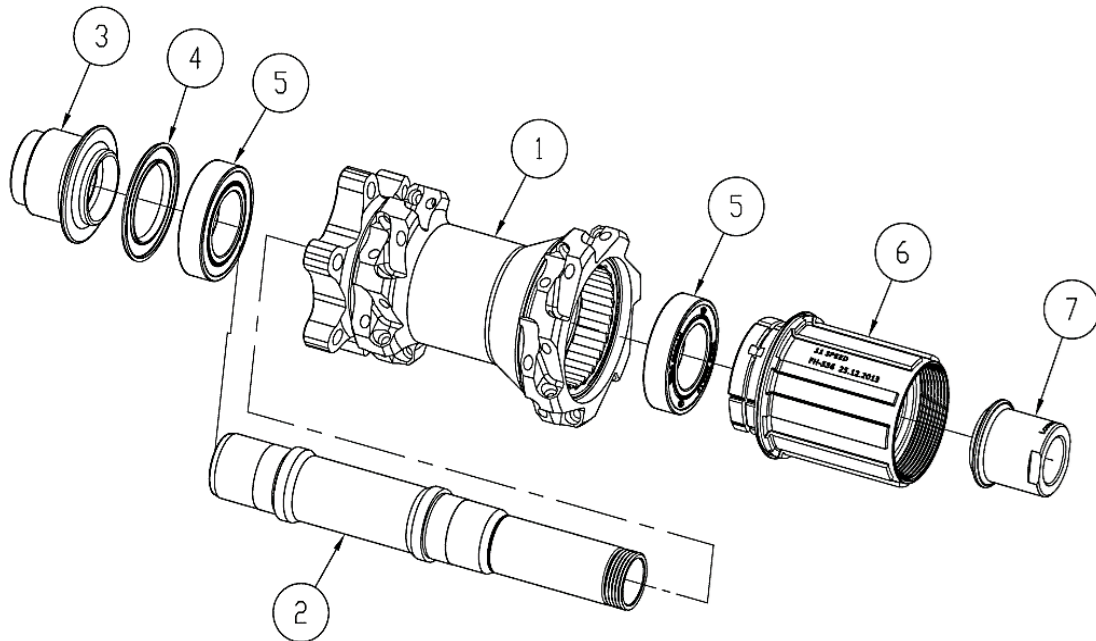


Front Rear	Part	Ref.	Part's Number	Spec Description	Remark
Front	Axle Kit Set	1,2,4	151A-AX1077-801	AX-1077 HUB AXLE KIT (FOR RX1805)	① x2 ② x2 ④ x1
Front	Bearing	3	1288-SB1830-501	SB-18307 HUB BEARING	2 pc/set

4.7 GRX 804R

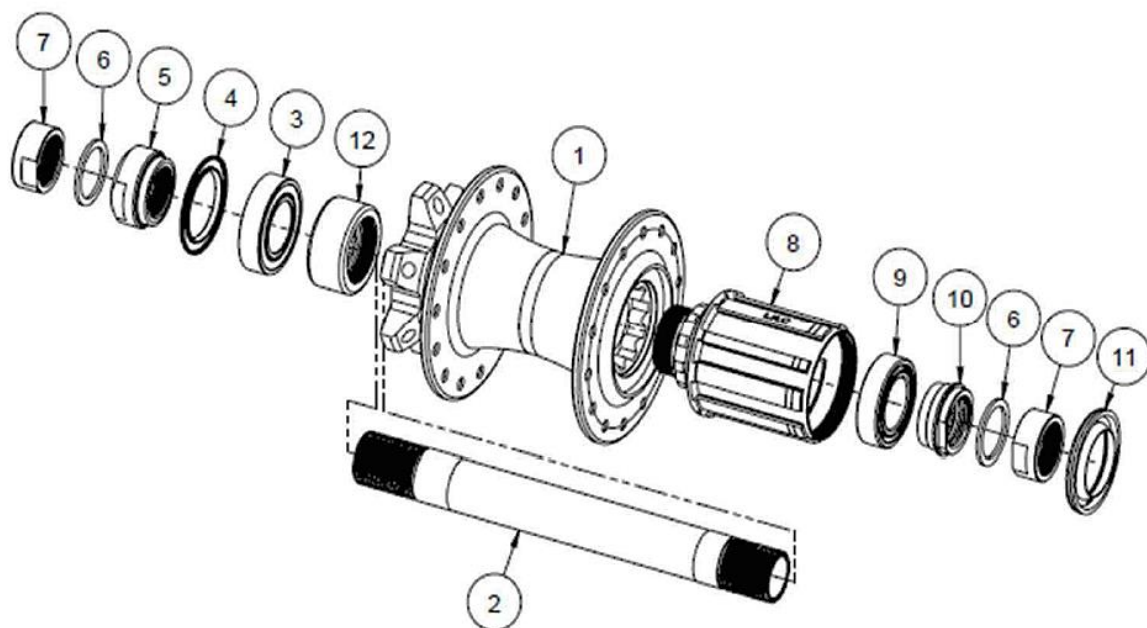
Rear

1520-RX1804-801



Front/ Rear	Part	Ref.	Part's Number	Spec Description	Remark
Rear	Axle Kit Set	2,3,4, 5,7	151A-AX4078-801	AX-4078 HUB AXLE KIT	② x1 ③ x1 ④ x1 ⑤ x2 ⑦ x1
Rear	SHIMANO Freehub Body	6,7	152B-FH5360-801	FH-536-02FREEHUB BODY(SHIMANO TYPE) FOR RX1804	⑥ + ⑦
Rear	Bearing	3	1288-SB6903-501	SB-6903 HUB BEARING	2 pc/set

4.8 GRX 1602



MODEL	Part's Number	PARTS INCLUDED	Q'TY
AXLE KIT	151A-GRX160-801	6.7	2 PCS EACH
		2.3.4.5.9.10.11	1 PC EACH
FREEHUB BODY	152B-FH117K-801	8+11+9+12	1 PC EACH
SEAL BEARING	151A-SB6902-801	3	1 PC EACH
SEAL BEARING	151A-SB1527-801	9	1 PC EACH

4.9 Free Hub Body

GTM PN	Description
152B-FH501B-501	FH-501B FREEHUB (SHIMANO) FOR GDC1526/GDC1528/GDC1612
152B-FH535T-701	SRAM XD FREEHUB BODY FOR GDC1614
152B-FH5360-701	SHIMANO FREEHUB BODY FOR GDC1608
152B-FH2040-801	FH204 FREEHUB BODY(WATERPROOF) FOR GRB52/GRB1035/GRB1032/GDC1022
152B-FH206K-801	FH206K FREEHUB BODY(WATERPROOF) FOR GRB321/GRB1502/GRB1504/GDC1504/GRB1606
152B-FH206A-801	FH206 FREEHUB BODY(WATERPROOF) FOR GRB30/GRB32/GDC1032/GDC1524
152B-FH204K-801	FH204K FREEHUB BODY(WATERPROOF) FOR GDC1520/GRB1602
152B-FH5360-801	FH-536-02 FREEHUB BODY(SHIMANO TYPE) FOR GRX1804
152B-FH117K-801	FH-117K-01 FREEHUB+COMPRESS RING+BEARING FOR GRX1602

5 Spoke Tension

▲NOTE: Below spoke tension values are only valid with DT Tensio 2.

Model Year	Wheel Model	Front/Rear		Tolerable spoke tension per side		Spoke Spec	Length (mm)
				Minimum	Maximum	Model	
18	SLR 0 (30 MM)	Front	Left/Right	0.23	0.33	DT Aero Lite	286
			Rear	Non-Drive side	0.64	0.77	DT Aero Lite
		Drive side (inner)		0.53	0.66	DT Aero Comp	280
		Drive side (outer)	0.98	1.12	DT Aero Comp	286	
18	SLR 1 (30 MM)	Front	Left/Right	1.85	2.03	SAPIM Race	286
			Rear	Non-Drive side	1.70	1.85	SAPIM Race
		Drive side (inner)		1.57	1.71	SAPIM Laser	281
		Drive side (outer)	2.08	2.23	SAPIM Race	284	
18	SLR 0 (42 MM)	Front	Left/Right	0.23	0.33	DT Aero Lite	274
			Rear	Non-Drive side	0.64	0.77	DT Aero Comp
		Drive side (inner)		0.98	1.23	DT Aero Comp	274
		Drive side (outer)	0.53	0.66	DT Aero Lite	268	
18	SLR 1 (42 MM)	Front	Left/Right	0.4	0.6	SAPIM CX-SPRINT	274
			Rear	Non-Drive side	0.6	0.75	SAPIM CX-SPRINT
		Drive side (inner)		0.75	0.9	SAPIM CX-SPRINT	274
		Drive side (outer)	0.6	0.75	SAPIM CX RAY	268	
17	SLR 0 (55 MM)	Front	Left/Right	0.23	0.33	DT Aero Lite	261
			Rear	Non-Drive side	0.64	0.77	DT Aero Comp
		Drive side (inner)		0.98	1.12	DT Aero Comp	261
		Drive side (outer)	0.53	0.66	DT Aero Lite	256	
17	SLR 1 (55 MM)	Front	Left/Right	1.35	1.55	CX-RAY	261
			Rear	Non-Drive side	1.02	1.15	CX-RAY
		Drive side (inner)		1.42	1.55	CX-RAY	261
		Drive side (outer)	1.42	1.59	CX-RAY	256	
18	SLR 0 Disc (30 MM)	Front	Disc side(inner)	0.30	0.43	DT Aero Lite	284
			Disc side(outer)	0.43	0.55	DT Aero Lite	291
			Non-Disc side	0.43	0.55	DT Aero Lite	289
		Rear	Non-Drive side	0.35	0.48	DT Aero Lite	286
			Drive side(inner)	0.45	0.58	DT Aero Lite	295
			Drive side(outer)	0.45	0.58	DT Aero Lite	286
18	SLR 1 Disc (30 MM)	Front	Disc side(inner)	0.5	0.65	SAPIM CX-SPRINT	284
			Disc side(outer)	0.5	0.65	SAPIM CX-SPRINT	291
			Non-Disc side	0.65	0.75	SAPIM CX-SPRINT	289
		Rear	Non-Drive side	0.65	0.78	SAPIM CX-SPRINT	286
			Drive side(inner)	0.50	0.65	SAPIM CX-SPRINT	286
			Drive side(outer)	0.50	0.65	SAPIM CX-SPRINT	297
18	SLR 0 Disc (42 MM)	Front	Disc side(inner)	0.35	0.53	DT Aero Lite	273
			Disc side(outer)	0.4	0.55	DT Aero Lite	278
			Non-Disc side	0.4	0.55	DT Aero Lite	277
		Rear	Drive side(inner)	0.35	0.5	DT Aero Lite	283
			Drive side(outer)	0.4	0.55	DT Aero Lite	274
			Non-Drive side(inner)	0.4	0.55	DT Aero Lite	274
			Non-Drive side(outer)	0.35	0.45	DT Aero Lite	274
18	SLR0 Disc/ SLR1 Disc (For Propel Disc)	Front	Disc side(inner)	0.6	0.75	SAPIM CX-SPRINT	272
			Disc side(outer)	0.55	0.7	SAPIM CX-SPRINT	278
			Non-Disc side	0.65	0.8	SAPIM CX-SPRINT	277
		Rear	Drive side(inner)	0.58	0.73	SAPIM CX-SPRINT	251
			Drive side(outer)	0.58	0.73	SAPIM CX-SPRINT	260
			Non-Drive side(inner)	0.6	0.75	SAPIM CX-SPRINT	251
			Non-Drive side(outer)	0.6	0.75	SAPIM CX-SPRINT	251

Model Year	Wheel Model	Front/Rear		Tolerable spoke tension per side		Spoke Spec	Length (mm)	
18	SLR 1 Disc (42 MM)	Front	Disc side(inner)	0.68	0.8	SAPIM CX-SPRINT	272	
			Disc side(outer)	0.63	0.75	SAPIM CX-SPRINT	278	
			Non-Disc side	0.75	0.92	SAPIM CX-SPRINT	277	
		Rear	Non-Drive side(inner)	0.63	0.75	SAPIM CX-SPRINT	274	
			Non-Drive side(outer)	0.68	0.8	SAPIM CX-SPRINT	274	
			Drive side(inner)	0.68	0.75	SAPIM CX-SPRINT	283	
			Drive side(outer)	0.63	0.75	SAPIM CX-SPRINT	274	
18	SLR 0 Disc (65 MM)	Front	Disc side(inner)	0.35	0.53	DT Aero Lite	249	
			Disc side(outer)	0.4	0.55	DT Aero Lite	255	
			Non-Disc side	0.4	0.55	DT Aero Lite	254	
		Rear	Non-Drive side(inner)	0.35	0.5	DT Aero Lite	251	
			Non-Drive side(outer)	0.4	0.55	DT Aero Lite	251	
			Drive side(inner)	0.4	0.55	DT Aero Lite	261	
			Drive side(outer)	0.35	0.45	DT Aero Lite	251	
18	SLR 1 Disc (65 MM)	Front	Disc side(inner)	0.68	0.8	SAPIM CX-SPRINT	249	
			Disc side(outer)	0.63	0.75	SAPIM CX-SPRINT	254	
			Non-Disc side	0.75	0.92	SAPIM CX-SPRINT	254	
		Rear	Non-Drive side(inner)	0.63	0.75	SAPIM CX-SPRINT	251	
			Non-Drive side(outer)	0.68	0.8	SAPIM CX-SPRINT	251	
			Drive side(inner)	0.68	0.8	SAPIM CX-SPRINT	260	
			Drive side(outer)	0.63	0.75	SAPIM CX-SPRINT	251	
18	XCR 0 27.5"	Front (110mm)	Disc side(inner)	0.32	0.45	DT Aero Lite	275	
			Disc side(outer)	0.38	0.5	DT Aero Lite	279	
			Non-Disc side(inner)	0.3	0.5	DT Aero Lite	275	Measure with 11mm sleeve
			Non-Disc side(outer)	0.3	0.5	DT Aero Lite	279	Measure with 11mm sleeve
		Front (100mm)	Disc side	0.36	0.48	DT Aero Lite	281	
			Non-Disc side	0.25	0.45	DT Aero Lite	280	Measure with 11mm sleeve
		Rear (148mm)	Non-Drive side(inner)	0.2	0.4	DT Aero Lite	279	Measure with 11mm sleeve
			Non-Drive side(outer)	0.2	0.4	DT Aero Lite	275	Measure with 11mm sleeve
			Drive side(inner)	0.8	1	DT Aero Comp	271	
		Rear (142mm)	Drive side(outer)	0.9	1.05	DT Aero Comp	275	
			Non-Drive side	0.2	0.4	DT Aero Lite	281	Measure with 11mm sleeve
Drive side	0.85	1.05	DT Aero Comp	280				
18	XCR 0 29"	Front	Disc side(inner)	0.32	0.45	DT Aero Lite	294	
			Disc side(outer)	0.38	0.5	DT Aero Lite	298	
			Non-Disc side(inner)	0.3	0.5	DT Aero Lite	294	Measure with 11mm sleeve
			Non-Disc side(outer)	0.3	0.5	DT Aero Lite	298	Measure with 11mm sleeve
		Rear (148mm)	Non-Drive side(inner)	0.2	0.4	DT Aero Lite	294	Measure with 11mm sleeve
			Non-Drive side(outer)	0.2	0.4	DT Aero Lite	298	Measure with 11mm sleeve
			Drive side(inner)	0.8	1	DT Aero Comp	290	
Drive side(outer)	0.9	1.05	DT Aero Comp	294				
18	XCR 1C 27.5"	Front (110mm)	Disc side(inner)	0.85	1.05	SAPIM Laser	275	
			Disc side(outer)	0.95	1.12	SAPIM Laser	279	
			Non-Disc side(inner)	0.6	0.8	SAPIM Laser	275	
			Non-Disc side(outer)	0.6	0.8	SAPIM Laser	279	
		Front (100mm)	Disc side	1.75	1.93	SAPIM Race	280	
			Non-Disc side	1.3	1.5	SAPIM Race	281	






		Rear (148mm)	Non-Drive side(inner)	0.8	0.95	SAPIM Laser	276			
			Non-Drive side(outer)	0.7	0.9	SAPIM Laser	280			
			Drive side(inner)	1.65	1.85	SAPIM Race	271			
			Drive side(outer)	1.75	1.92	SAPIM Race	275			
		Rear (142mm)	Non-Drive side	1.3	1.5	SAPIM Race	281			
			Drive side	1.75	1.93	SAPIM Race	279			
18	TRX 0 27.5"	Front (110mm)	Disc side(inner)	0.32	0.45	DT Aero Lite	275			
			Disc side(outer)	0.38	0.5	DT Aero Lite	279			
			Non-Disc side(inner)	0.3	0.5	DT Aero Lite	275	Measure with 11mm sleeve		
			Non-Disc side(outer)	0.3	0.5	DT Aero Lite	279	Measure with 11mm sleeve		
		Rear (148mm)	Non-Drive side(inner)	0.2	0.4	DT Aero Lite	275	Measure with 11mm sleeve		
			Non-Drive side(outer)	0.2	0.4	DT Aero Lite	279	Measure with 11mm sleeve		
			Drive side(inner)	0.8	1	DT Aero Comp	271			
			Drive side(outer)	0.9	1.05	DT Aero Comp	275			
		Rear (142mm)	Non-Drive side	0.25	0.45	DT Aero Lite	281	Measure with 11mm sleeve		
			Drive side	0.85	1.05	DT Aero Comp	280			
18	TRX 1C 27.5"	Front (110mm)	Disc side(inner)	0.85	1.05	SAPIM Laser	275			
			Disc side(outer)	0.95	1.12	SAPIM Laser	279			
			Non-Disc side(inner)	0.6	0.8	SAPIM Laser	275			
			Non-Disc side(outer)	0.6	0.8	SAPIM Laser	279			
		Front (100mm)	Disc side	1.3	1.5	SAPIM Race	280			
			Non-Disc side	1.75	1.93	SAPIM Race	281			
		Rear (148mm)	Non-Drive side(inner)	0.8	0.95	SAPIM Laser	276			
			Non-Drive side(outer)	0.7	0.9	SAPIM Laser	280			
			Drive side(inner)	1.65	1.85	SAPIM Race	271			
			Drive side(outer)	1.75	1.92	SAPIM Race	275			
		Rear (142mm)	Non-Drive side	0.6	0.8	SAPIM Laser	281			
			Drive side	1.7	1.9	SAPIM Race	279			
18	XCR 1 29"	Front (110mm)	Disc side(inner)	0.85	1.05	SAPIM Laser	294			
			Disc side(outer)	0.95	1.12	SAPIM Laser	298			
			Non-Disc side(inner)	0.58	0.75	SAPIM Laser	294			
			Non-Disc side(outer)	0.58	0.75	SAPIM Laser	298			
		Rear (148mm)	Non-Drive side(inner)	0.8	0.95	SAPIM Laser	294			
			Non-Drive side(outer)	0.7	0.9	SAPIM Laser	299			
			Drive side(inner)	1.65	1.85	SAPIM Race	291			
			Drive side(outer)	1.75	1.92	SAPIM Race	294			
		18	XCT 1 27.5"	Front (110mm)	Disc side(inner)	1.65	1.82	SAPIM Race	276	
					Disc side(outer)	1.75	1.92	SAPIM Race	280	
					Non-Disc side(inner)	1.3	1.5	SAPIM Race	276	
					Non-Disc side(outer)	1.3	1.5	SAPIM Race	280	
Front (100mm)	Disc side			1.75	1.93	SAPIM Race	281			
	Non-Disc side			1.45	1.65	SAPIM Race	282			
Rear (148mm)	Non-Drive side(inner)			1.35	1.52	SAPIM Race	276			
	Non-Drive side(outer)			1.25	1.45	SAPIM Race	280			
	Drive side(inner)			1.65	1.82	SAPIM Race	272			
	Drive side(outer)			1.75	1.92	SAPIM Race	276			
Rear (142mm)	Non-Drive side	1.4	1.6	SAPIM Race	281					
	Drive side	1.75	1.93	SAPIM Race	280					

▲NOTE: Below spoke tension values are only valid with **DT Tensio 2**.

Wheel Model	Front/Rear		Tolerable spoke tension per side		Spoke Spec Model	Length (mm)
			Minimum	Maximum		
MY18 P-R2 DBL	Rear	Non-Drive side	1.15	1.45	SAPIM RACE	283
		Drive side (inner)	1.05	1.35	SAPIM RACE	283
		Drive side (outer)	1.05	1.35	SAPIM RACE	283



12.5mm/11mm sleeve application instruction.

<p>1. Prepare Sleeve and DT Tensio.</p> <table border="1"> <thead> <tr> <th>Part#</th> <th></th> </tr> </thead> <tbody> <tr> <td>2520-SLEEVE-502</td> <td>SLEEVE OD:12.5MM FOR DT TENSIO TENSIO METER</td> </tr> <tr> <td>2520-SLEEVE-501</td> <td>SLEEVE OD:11MM FOR DT TENSIO TENSIO METER</td> </tr> <tr> <td>Gear PN# 300000028</td> <td>SLEEVE OD:11MM/ 12.5MM FOR DT TENSIO TENSIO METER</td> </tr> </tbody> </table>	Part#		2520-SLEEVE-502	SLEEVE OD:12.5MM FOR DT TENSIO TENSIO METER	2520-SLEEVE-501	SLEEVE OD:11MM FOR DT TENSIO TENSIO METER	Gear PN# 300000028	SLEEVE OD:11MM/ 12.5MM FOR DT TENSIO TENSIO METER	<p>12.5mm/11mm Sleeve for DT Tensio tensiometer</p> 	<p>DT Tensio 2</p> 
Part#										
2520-SLEEVE-502	SLEEVE OD:12.5MM FOR DT TENSIO TENSIO METER									
2520-SLEEVE-501	SLEEVE OD:11MM FOR DT TENSIO TENSIO METER									
Gear PN# 300000028	SLEEVE OD:11MM/ 12.5MM FOR DT TENSIO TENSIO METER									
<p>2. Apply 12.5mm/11mm Sleeve on the DT Tensio 2.</p> <table border="1"> <thead> <tr> <th>Gear Part#</th> <th></th> </tr> </thead> <tbody> <tr> <td>300000027</td> <td>TENSIO METER DT TENSIO ANALOG RED(指針式)</td> </tr> </tbody> </table>	Gear Part#		300000027	TENSIO METER DT TENSIO ANALOG RED(指針式)						
Gear Part#										
300000027	TENSIO METER DT TENSIO ANALOG RED(指針式)									
<p>3. Use DT Tensio 2 with 12.5mm/11mm Sleeve and measure the spoke tension vertically.</p>										
<p>4. Spoke tool:</p> <table border="1"> <thead> <tr> <th>Gear Part#</th> <th></th> </tr> </thead> <tbody> <tr> <td>300000029</td> <td>Spoke holder for TCS spoke</td> </tr> </tbody> </table>	Gear Part#		300000029	Spoke holder for TCS spoke						
Gear Part#										
300000029	Spoke holder for TCS spoke									

● Tolerance

	Toleranz [mm]
上下跳動 Vertical (Radial run-out)	≤0.30 mm
左右偏擺 Horizontal (Axial run-out)	≤0.25 mm
中心誤差 Dish	≤0.20 mm